

Printer Belt Clip Instructions

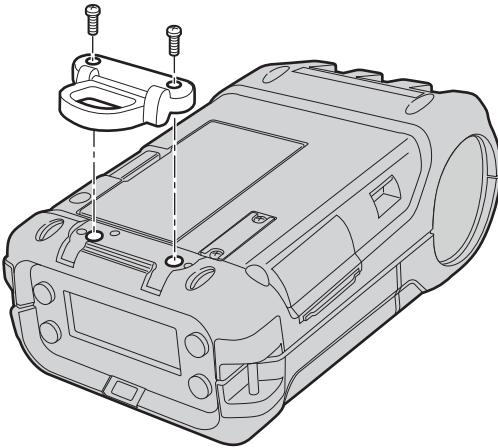


The printer belt clip makes it easy for you to attach the PB21, PB22, PB31, or PB32 printer to your belt. The belt clip kit contains these parts:

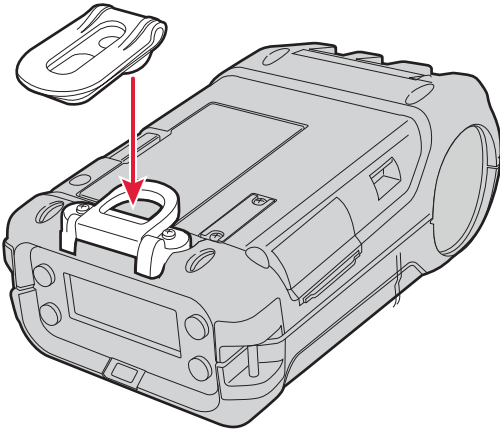
- Belt clip accessory
- Two Phillips screws
- This instruction sheet

To install the belt clip

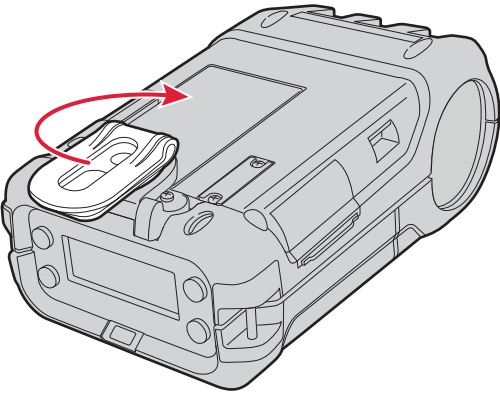
- 1 Attach the belt clip to the back of the printer with the two Phillips screws.



2 Insert the clip portion of the belt clip.

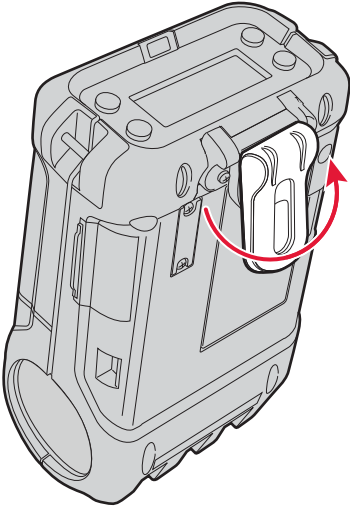


3 Rotate the belt clip 180 degrees.

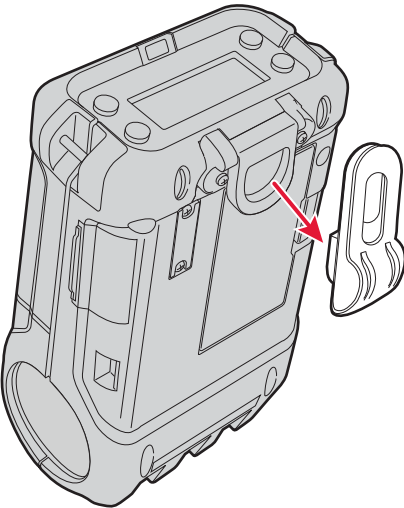


To detach the belt clip from the printer

- 1** Rotate the belt clip 180 degrees.



- 2** Pull the belt clip away from the printer.



Printer Belt Clip Instructions



P/N 943-247-001



Worldwide Headquarters
6001 36th Avenue West
Everett, Washington 98203
U.S.A.

tel 425.348.2600

fax 425.355.9551

www.intermec.com

© 2009 Intermec Technologies
Corporation. All rights reserved.