

PB2X | PB3X

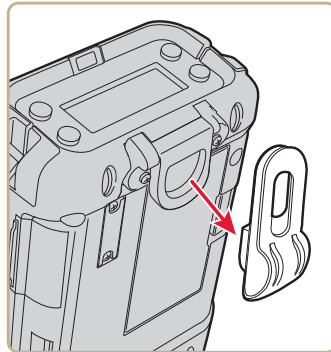
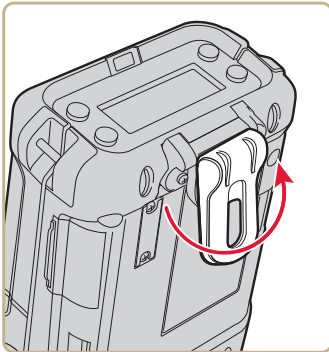
Protective Case Instructions

Use the protective case to transport and store your PB2X and PB3X printer. The protective case provides easy access to the printer buttons, connectors, and battery, allowing you to print labels while the printer is still in the protective case. Use the handstrap or shoulder strap accessory with the protective case to make it easy to carry. The protective case kit contains these parts:

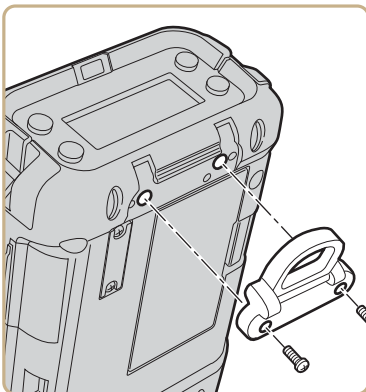
- Protective case accessory
- This instruction sheet

To detach the belt clip from the printer

- 1 Rotate the belt clip 180 degrees and pull it away from the printer.

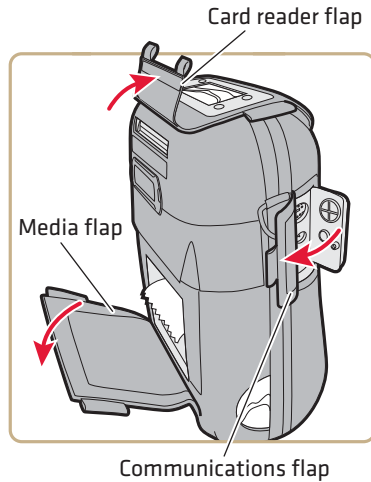
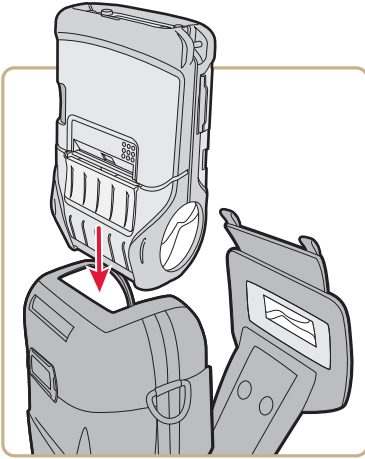


- 2 Remove the two Phillips screws on the back of the printer.



To insert the printer into the protective case

- 1 Unzip the main flap on the protective case and insert the printer with the control panel facing upward.



- 2 Close the zippers on the protective case and secure the flap over the printer. You can:
 - open the media flap to print labels while the printer is in the case.
 - open the card reader flap to use the card reader.
 - open the communications flap to attach a power cable, USB cable, or a serial cable to the printer.



Worldwide Headquarters
6001 36th Avenue West
Everett, Washington 98203
U.S.A.

tel 425.348.2600

fax 425.355.9551

www.intermec.com

© 2010 Intermec Technologies Corporation. All rights reserved.



PB2X and PB3X Protective Case Instructions



P/N 943-223-002