



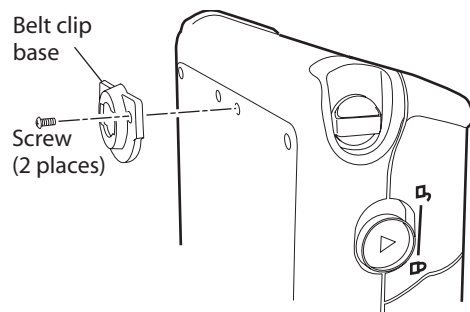
PB42 Belt Clip Instructions

The PB42 belt clip (P/N 074964) makes it easy for you to attach the PB42 printer to your belt. The belt clip kit contains this instruction sheet and these parts:

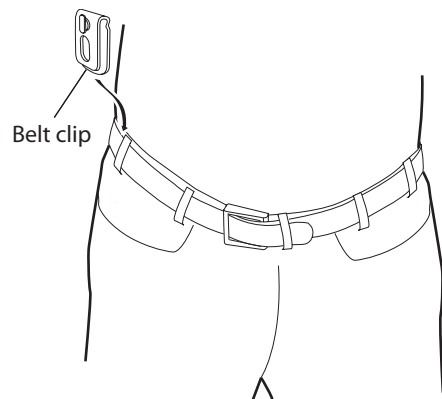
- Belt clip
- Belt clip base
- Torx screws (2)

To install the belt clip

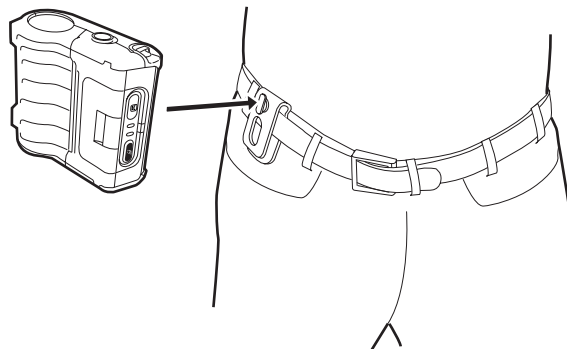
- 1 Attach the belt clip base to the back of the PB42 with the two Torx screws.



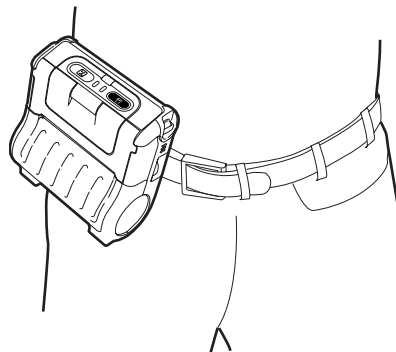
- 2 Attach the belt clip to your belt.



- 3 Rotate the printer 90° to align the opening in the belt clip base with the tab on the belt clip.



- 4 Insert the printer into the belt clip and let it rotate back to its natural vertical position.



Intermec

6001 36th Avenue West
Everett, Washington 98203
U.S.A.

tel 425.348.2600

fax 425.355.9551

www.intermec.com

© 2005 Intermec Technologies
Corporation. All rights reserved.

PB42 Belt Clip Instructions



P/N 943-047-001