

DX₂|DX₄

Printer and Battery Cup Installation Instructions

打印机与电池套盖安装说明

印表機與電池套蓋安裝說明

Instructions d'installation pour les godets d'imprimantes et de piles

Installationsanleitung für Drucker- und Akkuschale

Istruzioni per l'installazione dell'adattatore per stampante e batteria

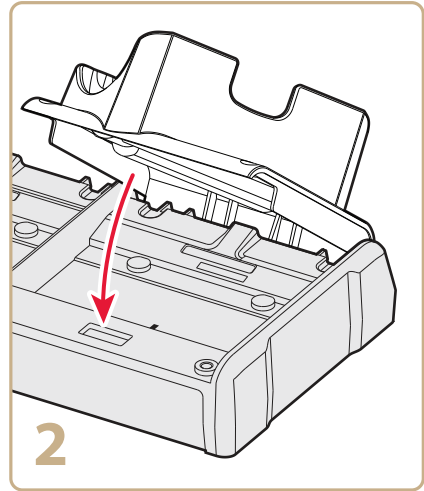
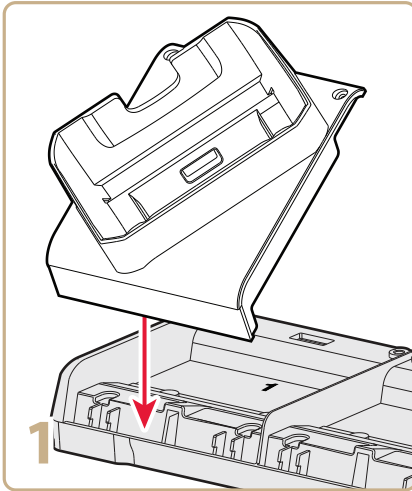
프린터 및 배터리 컵 설치 지침

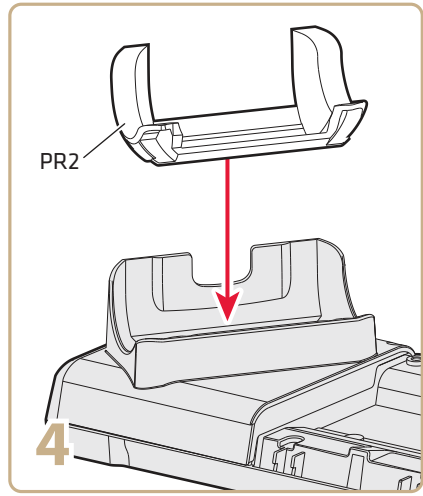
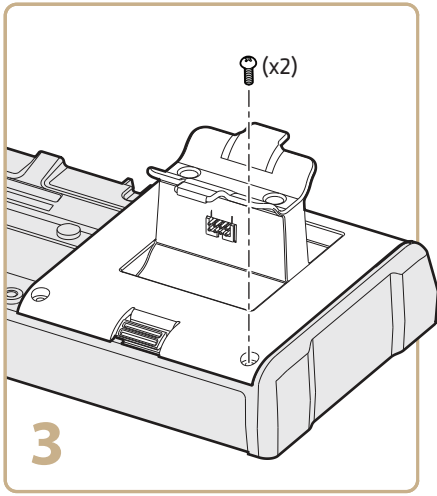
Instruções de Instalação para Estojo de Impressora e Bateria

Инструкции по установке стаканов для принтера и батарейки

Instrucciones de instalación de la copa para batería e impresora

Yazıcı ve Batarya Haznesi Montaj Talimatları





The illustrations show how to install a PR2 printer cup in the DX2 dock. Install the PR3 cup and battery cup the same way. For more information, see the *FlexDock User's Guide*.

本说明显示如何在 DX2 底座中安装 PR2 打印机套盖。请采用相同的方法安装 PR3 套盖和电池套盖。有关详细信息，请参阅 *FlexDock User's Guide*。

該說明解說在 DX2 基座中安裝 PR2 印表機套蓋的方法。以相同方法安裝 PR3 套蓋與電池套蓋。有關詳細資訊，請參閱 *FlexDock User's Guide*。

Les illustrations montrent comment installer un godet d'imprimante PR2 dans le socle DX2. Installer le godet d'imprimante et de piles PR3 de la même manière. Pour plus d'information, consultez le *FlexDock User's Guide*.

Die Abbildungen zeigen, wie eine PR2-Druckerschale in das Dock DX2 eingebaut wird. Der Einbau der PR3- und Akkuschale erfolgt auf die gleiche Weise. Weitere Informationen sind in der Bedienungsanleitung *FlexDock User's Guide* zu finden.

Le illustrazioni mostrano come installare un adattatore per stampante PR2 nell'alloggiamento di espansione DX2. Installare l'adattatore PR3 e quello per batteria nello stesso modo. Per ulteriori informazioni, consultare il *FlexDock User's Guide*.

그림에서는 PR2 프린터 컵을 DX2 도크에 설치하는 방법을 보여줍니다. PR3 컵과 배터리 컵은 동일한 방법으로 설치하십시오. 자세한 내용은 *FlexDock User's Guide* 를 참조하십시오.

As ilustrações mostram como instalar um estojo de impressora PR2 na base DX2. Intale o estojo da PR3 e o estojo da bateria da mesma maneira. Para mais informações, consulte o *FlexDock User's Guide*.

На иллюстрациях показана установка стакана для принтера PR2 в стойку DX2. Установка стаканов для PR3 и для батарейки выполняется одинаково. Дополнительную информацию см. в *FlexDock User's Guide*.

Las ilustraciones muestran cómo instalar una copa de impresora PR2 en el acoplador DX2. Instale la copa PR3 y la copa para batería de la misma manera. Para obtener más información, vea el *FlexDock User's Guide*.

Çizimler PR2 yazıcı haznesini DX2 terminaline nasıl monte edileceğini gösterir. PR3 haznesini ve batarya haznesini aynı şekilde monte edin. Daha fazla bilgi için bkz. *FlexDock User's Guide*.



Worldwide Headquarters
6001 36th Avenue West
Everett, Washington 98203
U.S.A.

tel 425.348.2600

fax 425.355.9551

www.intermec.com

© 2012 Intermec Technologies
Corporation. All rights reserved.



DX2 and DX4 Printer and Battery Cup Installation Instructions



P/N 931-103-001