

PW50

Handstrap Instructions

The handstrap (P/N 825-196-xxx) provides you with a convenient way to carry your PW50 printer. The handstrap kit contains these items:

- Handstrap accessory
- These instructions

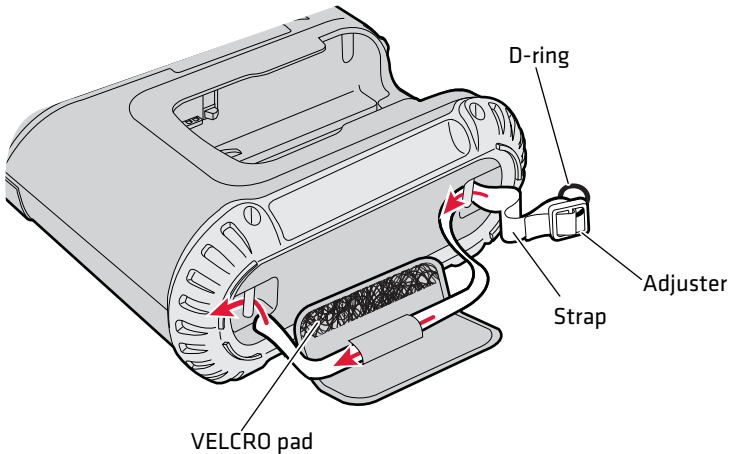
To attach the handstrap

- 1 Release the strap from the adjuster, and remove the strap from the VELCRO pad.

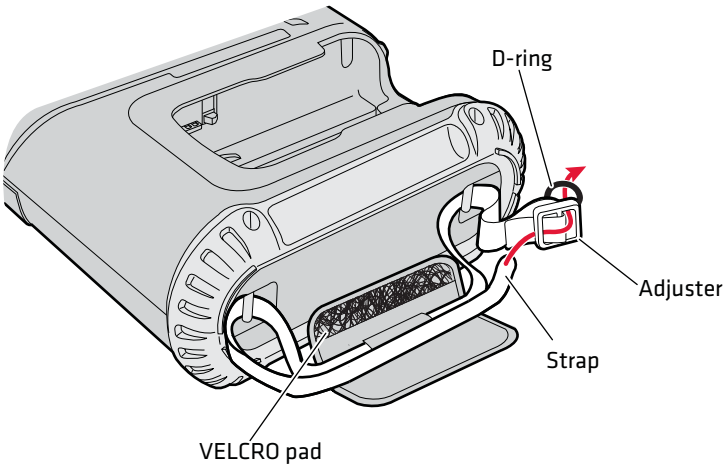


Note: VELCRO is a trademark of Velcro Industries B.V.

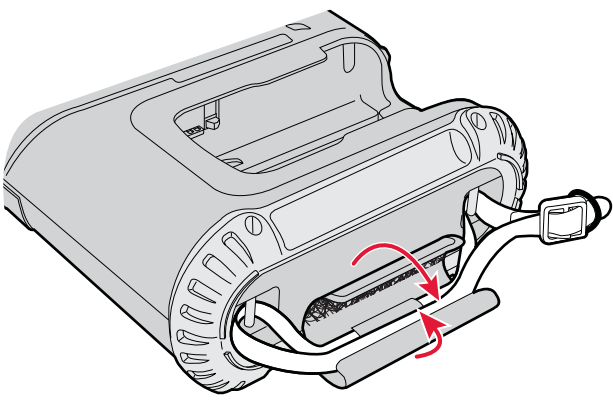
- 2 Insert the strap through the PW50 and VELCRO pad. Make sure the D-ring and adjuster are oriented as shown at the top of the PW50.



- 3 Place the strap on the VELCRO pad, and route the strap through the adjuster and D-ring as shown.



- 4 Close the VELCRO pad over the strap. You are now ready to use the printer with the handstrap.



- 5 (Optional) Install another handstrap on the other side of the PW50.

PW50 Handstrap Instructions



P/N 943-159-001

Intermec

Worldwide Headquarters
6001 36th Avenue West
Everett, Washington 98203
U.S.A.

tel 425.348.2600

fax 425.355.9551

www.intermec.com

© 2008 Intermec Technologies Corporation. All rights reserved.