

## Thor VM1 and Thor VM1A Field Replaceable UPS Battery

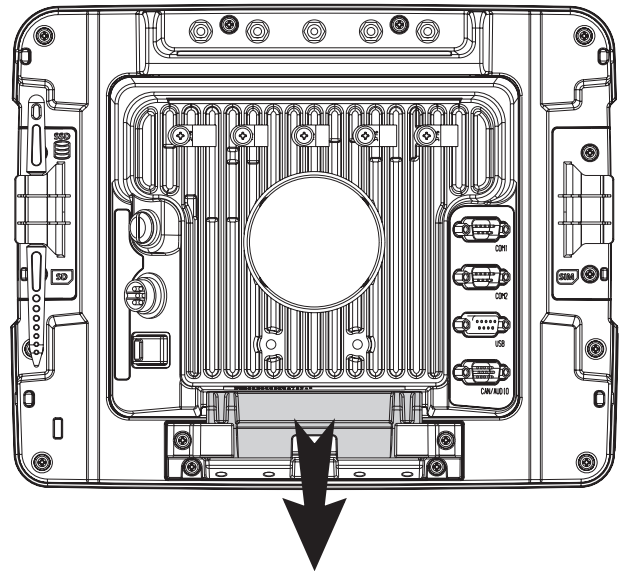
The Thor VM1 and Thor VM1A UPS battery is field replaceable.

### Requirements - User Supplied

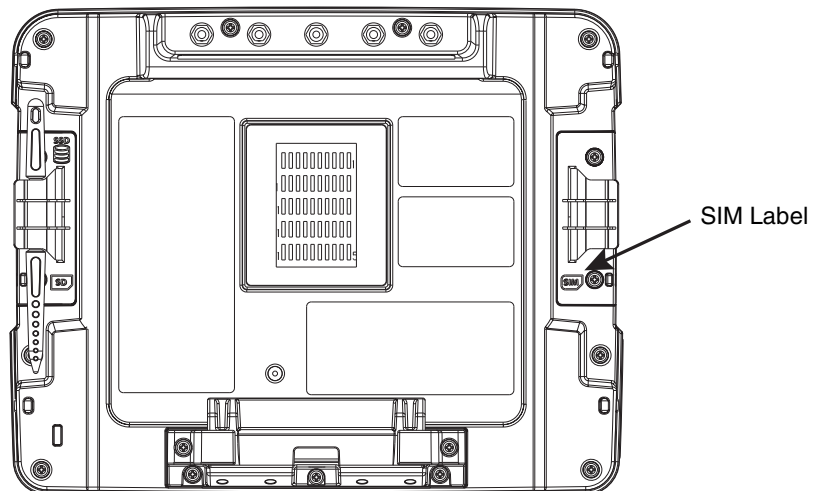
- Torquing tool capable of measuring inch pounds
- #2 Phillips screwdriver bit

### Replacing UPS Battery

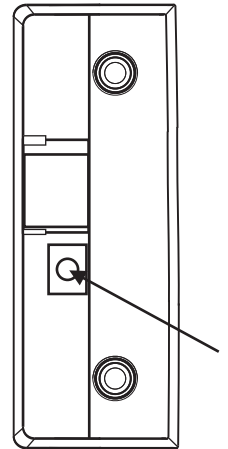
1. If the Thor VM1 has a Windows CE operating system, place the Thor VM1 in Suspend by pressing the **Power** button on the front of the Thor VM1. If the Thor VM1 has a Windows Embedded Standard operating system, select **Shut Down** from the Windows Shut Down menu. For Thor VM1A, press the **Power** button on the front of the computer and select **Power Off**.
2. Remove the computer from the Quick Mount Smart Dock by pulling down on the red quick release handle, lifting the bottom of the computer away from the dock, and lifting the computer up and away from the dock.



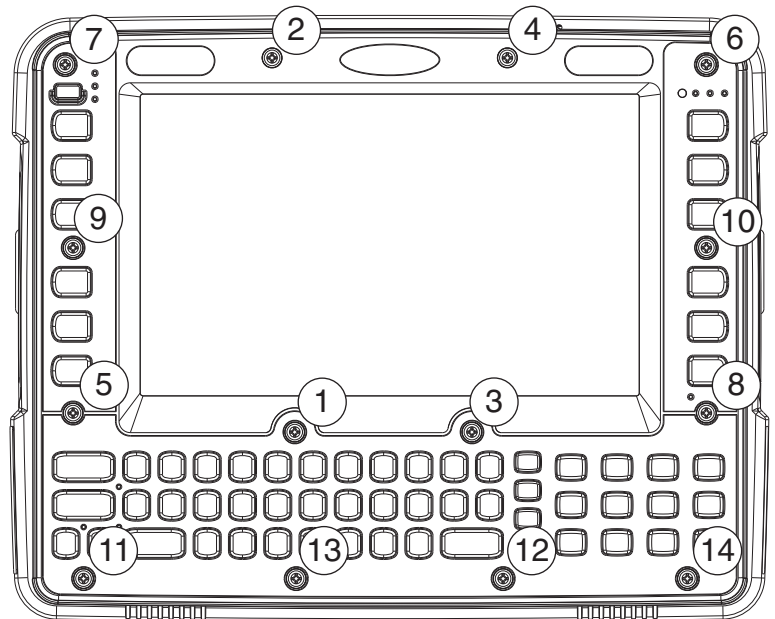
3. Place the computer face down on a clean, well lit stable surface.
4. Use a #2 Phillips bit to loosen the captive M3 screws on the tethered access panel with the SIM label.



- 
- Remove the tethered access panel from the opening and press the **UPS battery disconnect** button located just below the SIM card installation slot.



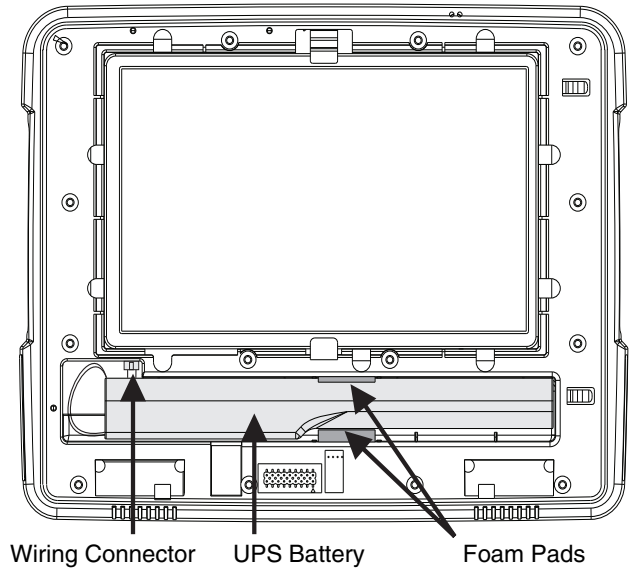
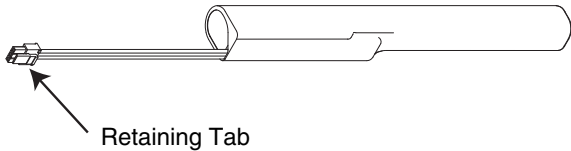
- Reinstall the access panel cover. Torque the M3 screws to 4-5 inch pounds using a #2 Phillips bit.
- Turn the computer face up.
- Use a #2 Phillips bit to loosen the fourteen (14) captive M3 screws that hold on the front panel.



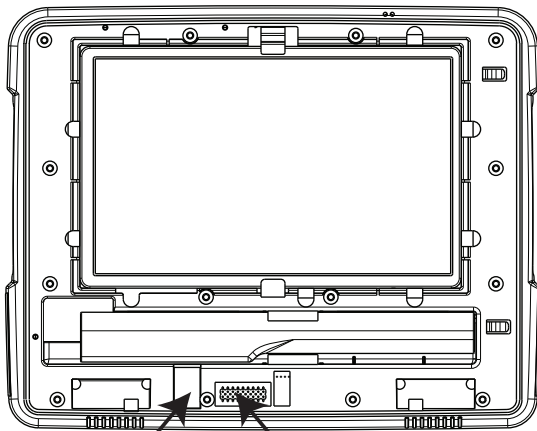
- Carefully lift the front panel away from the device.

10. Locate the UPS Battery, the wiring connector for the UPS battery and the foam pads.

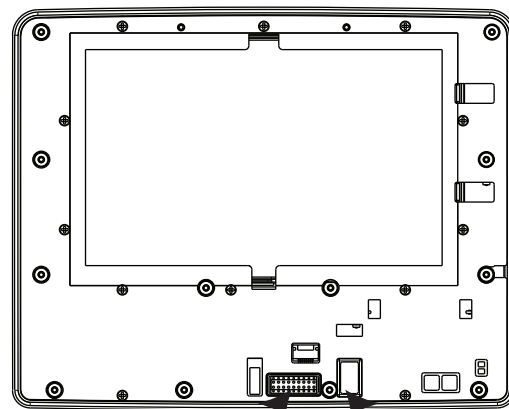
11. Additionally, locate the retaining tab on the UPS battery wiring connector.



12. Note the orientation of the UPS battery. Lift the UPS battery out of the battery well and place it outside the well. Do not pull on the wires attaching the battery to the computer while lifting the battery.
13. Press on retaining tab on the wiring connector the UPS battery and gently disconnect the wiring from the computer.
14. Remove the old battery and set it aside.
15. Inspect the battery well to verify the two foam pads are still in place.
16. Align the wiring connector on the new UPS battery with the connector on the VM1/VM1A. Gently press the connector into place until the retaining tab snaps into place.
17. Place the UPS battery into the well. Note the orientation of the battery in the illustration below. The flat surface of the battery points toward the bottom of the computer. Make sure all wires are inside the battery well so they are not pinched when the front panel is reinstalled.
18. Position the front panel so the tab on the back of the front panel lines up with the slot on the computer. Be sure the two wiring connectors are also aligned.



Slot  
Wiring Connector  
Thor VM1/Thor VM1A with Front Panel Removed



Wiring Connector  
Tab  
Back of Thor VM1/Thor VM1A Front Panel

- 
19. Gently press the front panel into place.
  20. Tighten the fourteen (14) captive M3 screws in the order shown in the figure for step 8 above. Use a #2 Phillips bit and torque the screws to 6-7 inch pounds.
  21. Reinstall the computer in the dock. The UPS battery automatically reconnects and begins charging.
  22. Press the **Power** button on the front.
  23. The computer is ready for use.