



THE POWER OF **CONNECTED**

# CX80 HomeBase

---

Model CX80-HB, CX80-EB

## Quick Start Guide

## Out of the Box

Make sure that your shipping box contains these items:

- CX80 HomeBase (CX80-HB) or Ethernet HomeBase (CX80-EB)
- Power supply (US Only)
- Power cord
- Regulatory Sheet

If any of these items are missing or appear damaged, contact your Customer Account Representative. Keep the original packaging in the event that you need to return the HomeBase or Ethernet HomeBase for service or if you want to store the charger while not in use.



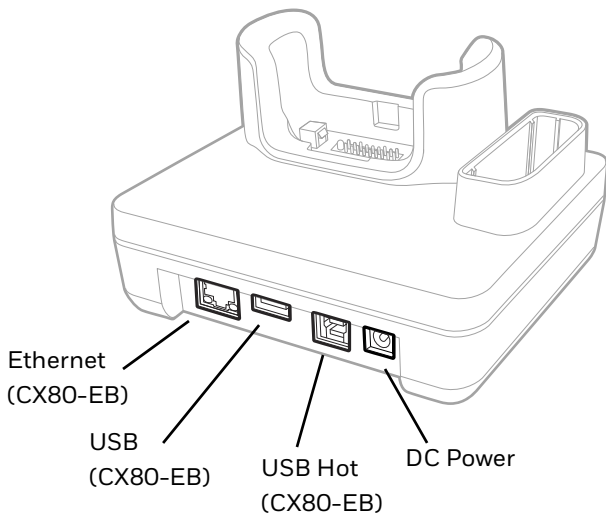
**Caution: We recommend the use of Honeywell accessories and power adapters. Use of any non-Honeywell accessories or power adapters may cause damage not covered by the warranty.**

**Mise en garde : Il est recommandé d'utiliser les périphériques, les cordons d'alimentation et les adaptateurs secteur conçus par Honeywell. L'utilisation de tout périphérique, cordon d'alimentation ou adaptateur secteur d'une autre marque est susceptible de provoquer des dommages non couverts par la garantie.**

## Connect Power

Use only a UL Listed power supply which has been qualified by Honeywell with an output rated at 12 VDC and 3 A. The power supply input rating is 90-264 VAC, 50/60 Hz. The operating temperature is -20 °C to 50 °C (-4 °F to 122 °F). The maximum output of the terminal is 9VDC/2A.

1. Plug the power cord into the power supply.
2. Plug the power supply cable into the power connector on the back of the HomeBase.
3. Plug the power cord into a standard wall outlet.



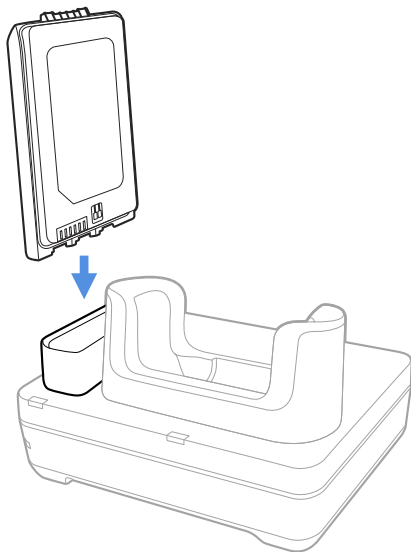
## Charge the Battery Pack



Caution: Make sure that all components are dry prior to using the computers and batteries with accessories. Using wet components may cause damage not covered by the warranty.

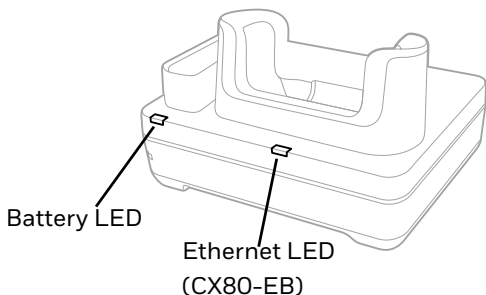
Mise en garde : Assurez-vous que tous les composants sont secs avant de connecter les terminaux/batteries à des périphériques. L'insertion de composants humides risque de provoquer des dommages non couverts par la garantie.

- Insert a battery pack into the HomeBase.



## About the Status LEDs

The HomeBase has one LED for the battery status. The Ethernet Homebase has two status LEDs: Ethernet and battery.



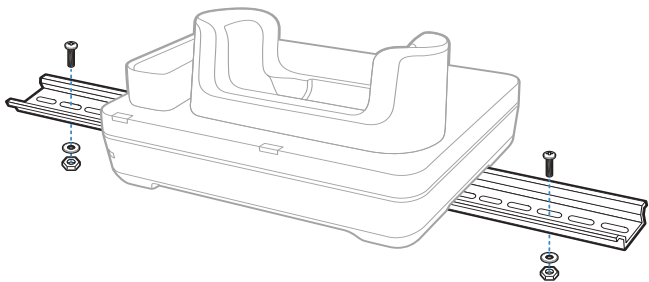
<b>LED</b>	<b>Status</b>	<b>Description</b>
Ether- net	Solid white	CX80 is communicating with Home-Base.
	Blinking White	CX80 is communicating with the Ethernet network.
	Off	HomeBase not communicating with Ethernet network or not connected to power.
Battery	Solid green	The battery is connected to external power and is fully charged.
	Solid amber	The battery is connected to external power and is charging.
	Blinking red	There is a battery charging fault, such as over-temperature.

## Mount the HomeBase

You can mount the HomeBase on a flat, horizontal surface such as a desktop or workbench with an optional DIN rail.

Mounting hardware required:

- DIN rail
  - 3/16-inch diameter x 5/8-inch long pan head screw
  - 1/2-inch OD x 7/32-inch ID x 3/64-inch thick washer
  - 3/16-inch diameter nut
1. Slide the DIN rail into the slot on the bottom of the Home-Base.
  2. Secure the DIN rail to the flat surface with the hardware.



## Support

To search our knowledge base for a solution or to log into the Technical Support portal and report a problem, go to [www.hsmcontactsupport.com](http://www.hsmcontactsupport.com).

## User Documentation

For the user guide and other documentation, go to [www.honeywellaidc.com](http://www.honeywellaidc.com).

## Limited Warranty

For warranty information, go to [www.honeywellaidc.com](http://www.honeywellaidc.com) and click **Get Resources > Product Warranty**.

## Patents

For patent information, see [www.hsmpats.com](http://www.hsmpats.com).

## Trademarks

Android and Google and other marks are trademarks of Google Inc.

## Disclaimer

Honeywell International Inc. (“HII”) reserves the right to make changes in specifications and other information contained in this document without prior notice, and the reader should in all cases consult HII to determine whether any such changes have been made. The information in this publication does not represent a commitment on the part of HII.

HII shall not be liable for technical or editorial errors or omissions contained herein; nor for incidental or consequential damages resulting from the furnishing, performance, or use of

this material. HII disclaims all responsibility for the selection and use of software and/or hardware to achieve intended results.

This document contains proprietary information that is protected by copyright. All rights are reserved. No part of this document may be photocopied, reproduced, or translated into another language without the prior written consent of HII.

Copyright © 2018 Honeywell International Inc. All rights reserved.