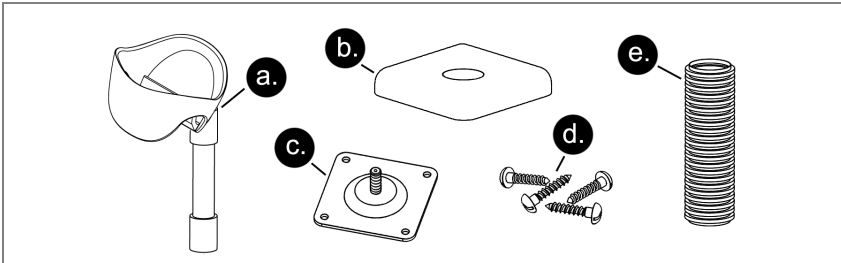


MS5145 Eclipse™

Flex Stand Installation Guide

Components of Kit 46-46758



Item	Item Description	Qty.
a.	Flex Shaft and Mask Assembly	1
b.	Base Plate Cover	1
c.	Base Plate	1
d.	#8 x 1.00" Wood Screw	4
e.	Flex Shaft Cover	1
	MS5145 Flex Stand Installation Guide (<i>Not Shown</i>)	1

Figure 1. Components

Base Plate Installation

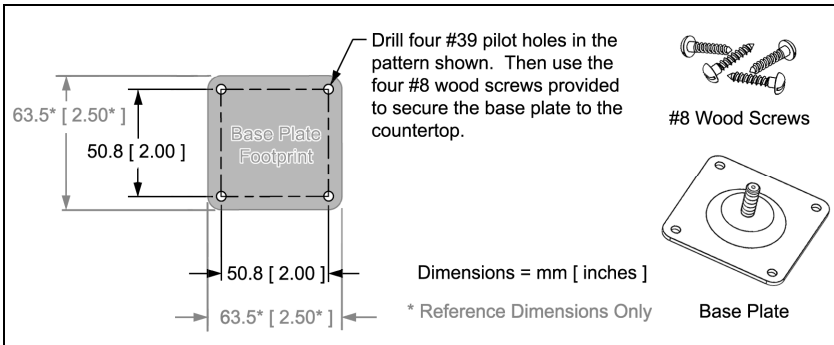


Figure 2. Specifications for Securing the Base Plate

Flex Stand Assembly

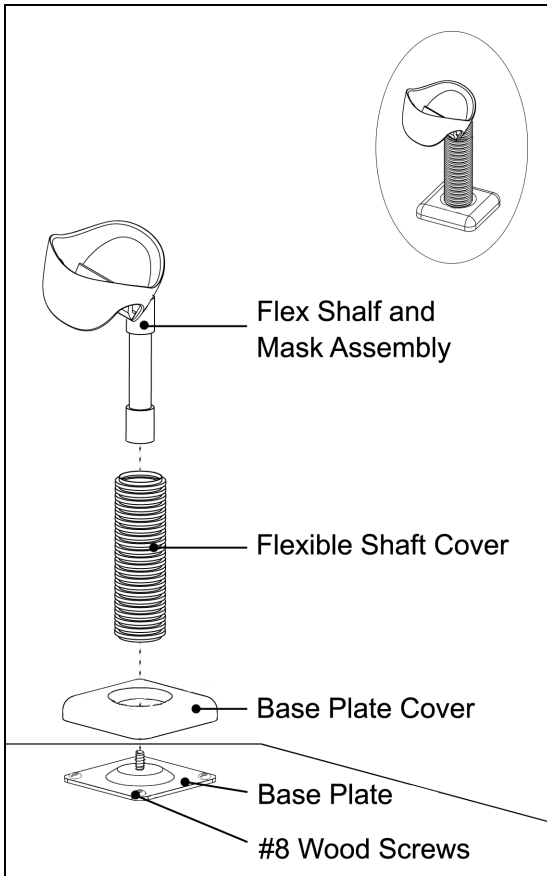


Figure 3. Flex Stand Assembly

Note: To adjust the angle of the flex stand, firmly hold the bottom of the flex shaft with one hand and push or pull the top of the flex shaft with the other hand in the desired direction.

