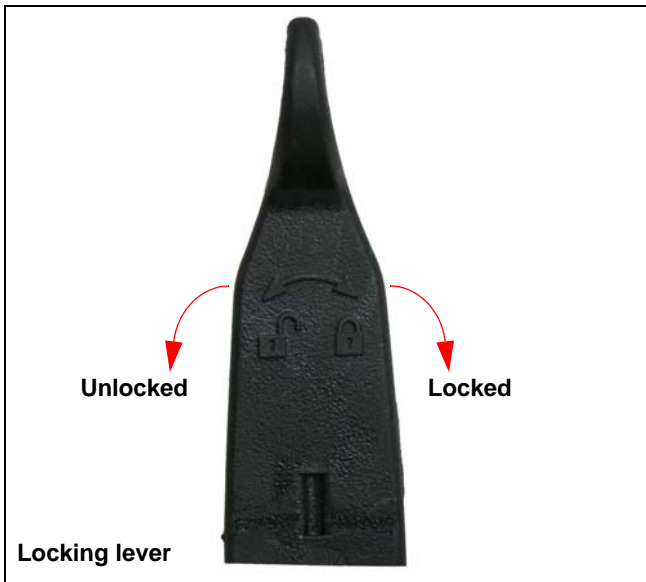
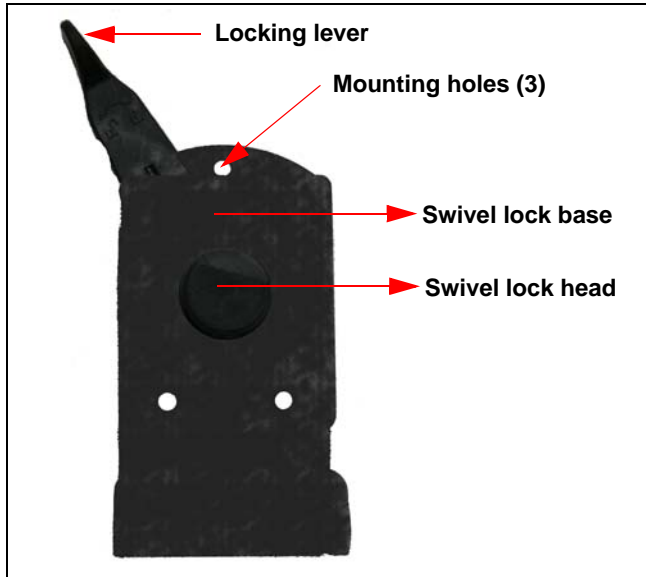


## OC 2/3 Swivel Lock Bracket (220259-000)

Use the Swivel Lock Bracket for the OC 2/3 printers.



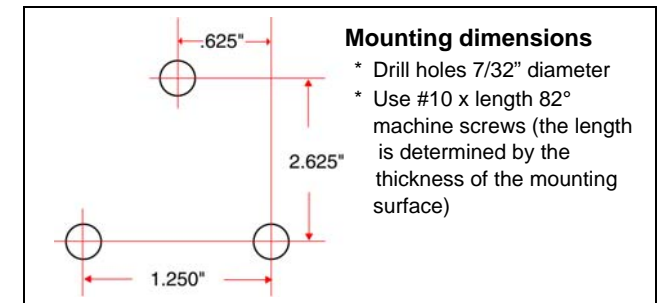
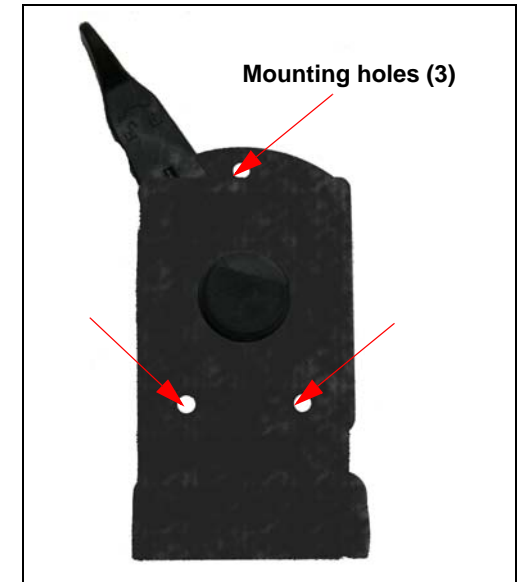
## Selecting a Location

### General Guidelines

- Position the bracket and/or printer with enough room to properly open and close the printer.
- Position the bracket and/or printer so it is protected from environmental elements such as moisture, tools, and boxes.
- Position the bracket and/or printer in a secure area in normal traffic patterns.
- Do not position the bracket above, near, or relative to the driver's position as to interfere with normal driving operations.
- Mount the bracket and/or printer away from the driver's head to eliminate potential injury in the event of an accident.
- Use only #10 x length 82° flat head screws for mounting.
- Datamax-O'Neil does not accept liability for improperly mounted or poorly placed swivel locks and/or printers.

## Step 1: Mounting the Swivel Lock

1. Use the swivel lock base as a template to mark the three mounting holes on the mounting surface. For guidelines on mounting and/or installation, see *Selecting a Location*.
2. Drill the mounting holes at the marked locations.



3. Attach the bracket to the mounting surface using #10 82° flat head screws. Thread the screws through the swivel lock and mounting holes.
4. Tighten securely. Use locking washers or lock tightly for vibration purposes.
5. If needed, use additional mounting hardware to secure the bracket to the mounting surface.
6. Proceed to *Step 2: Attaching the Printer*.

## Step 2: Attaching the Printer

1. Make sure the swivel mount bracket is in the unlocked position.
2. Place the printer's swivel mount block over the unlocked swivel lock bracket.



3. Facing the printer, move the locking lever to the "locked" position (from the left to the right) until it "clicks" into the "locked" position.



**Note:** If you would like to charge the printer while it is attached to the swivel lock bracket, plug the power connector (right angle cable only) into the printer, then attach the printer to the bracket. Make sure the charging cord is hanging straight down and does not interfere with the swivel lock bracket.



## Agency Approvals



Applicable Directive  
• 89/336/EEC, 73/23/EEC

Applicable Standards  
• EN55022 (1998)  
• EN55024 (1998)  
• EN60950 (1992)

## Warranty

The Company warrants that Datamax-O'Neil products are free from defects in manufacturing materials and workmanship for one (1) year from date of original purchase to Buyer/Distributor (OEMs 90 days from the date of purchase). Batteries, cables, power supplies, and other accessories will be warranted for ninety (90) days. Datamax-O'Neil makes no other warranties, expressed or implied, including implied warranties of merchantability and fitness of purpose.

If you try to repair, disassemble, or change the product in any way, or use parts not provided by Datamax-O'Neil without prior, written authorization, all warranties are void. For complete warranty and service information, see the Warranty Card included in your printer's original packaging.

## No Liability for Negligent Use

In no event shall Datamax-O'Neil be held liable for any damages whatsoever (including, without limitations, damages for loss of profits, business interruption, loss of information, or other pecuniary loss) arising out of negligence in use and care of the product.