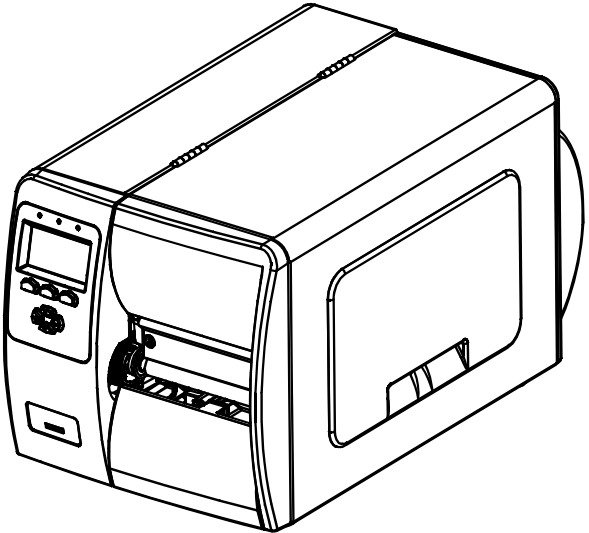
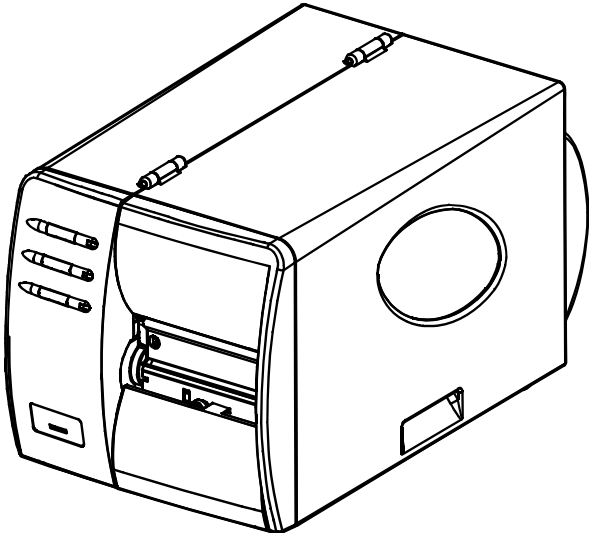


M-Class™ *Mark II*

Present Sensor Option ■■■



right by our customers. ■■■

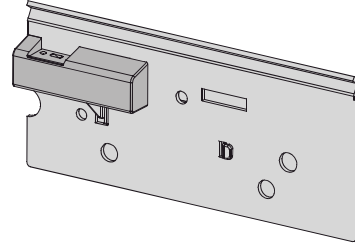


datamax·o'neil

Contents of the Present Sensor Kit

This kit contains the following item:

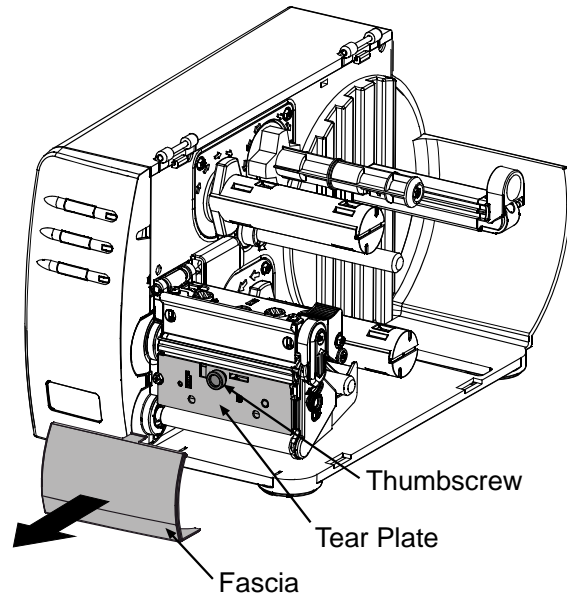
Present Sensor Option



Follow the steps listed below to install this option.

Step 1: Preparing the Printer

- 1 Turn 'Off' the power switch and unplug the printer.
- 2 Open the cover. Remove any installed media from the printer.
- 3 Remove the Fascia by gently pulling it forward.
- 4 Loosen and remove the Thumbscrew, then remove the Tear Plate.

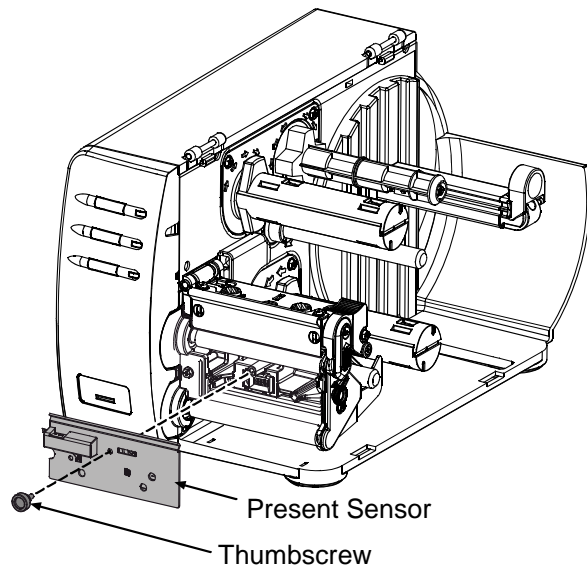


Step 2: Installing the Present Sensor

- 1 Position the Present Sensor for mounting on the front of the printer.
- 2 Using the Thumbscrew, secure the Present Sensor to the printer, as shown.

This completes the installation process.

Proceed to Loading Media.



Loading Media

Load media into the printer as you normally would for tear-off operation (see the *Operator's Manual* for details). When equipped with the Present Sensor option, labels printed in a batch will be dispensed “on-demand” – that is, printing will occur only after a previously printed label has been removed from the printer.

Setup, Configuration, and Operation

The Present Sensor is plug and play; no setup or configuration is required. As soon as power is applied, the printer senses and enables the Present Sensor for operation.

During operation, when a label is present (blocking the sensor), the yellow Stop Light on the front panel of the printer will flash to prompt you that a label awaits removal.

With printers equipped with an LCD display, the display will read “REMOVE LABEL”

Notes: (1) The operation of the Present Sensor can also be controlled via software commands from the host. Be sure that your software program is properly configured for use with this option. (2) If the Present Sensor is disconnected without first powering off the printer, the printer will behave as if there is a label blocking the sensor. Turn the printer off and then back on. The printer will reconfigure itself to operate without the Present Option

Present Sensor Maintenance

No regularly scheduled maintenance of the Present Sensor is required, however, for trouble-free operation be sure to keep the sensor free of debris and dust. To clean the Present Sensor:



For your safety and to avoid damaging the printer, turn 'Off' and unplug the printer before cleaning; and take proper precautions when using isopropyl alcohol, a flammable liquid.

- 1 Turn off and unplug the printer. Remove any media.
- 2 Using a Cotton Swab or compressed air, wipe or dust off the Sensors.
(In cases of extreme build-up, a cotton swab dampened with isopropyl alcohol can be used to clean the Sensors.)
- 3 If alcohol was used, allow the Sensors to dry; otherwise, go to Step 4.
- 4 This completes the cleaning procedure. Reinstall media. Plug in and turn on the printer.

