



# Cutter Kit

---

For PX4ie, PX6ie

## Installation Guide

## Introduction

The PX4ie and PX6ie printers can easily be fitted with an optional cutter, provided the printer is not already fitted with a label-taken sensor. The cutters are almost identical with exception for the width.

The cutter unit is fitted by replacing the front door and the printer hinges, and is connected by a single cable to the DIN-connector on the printer's front.

The cutter is available both as a factory-installed option and as a field installable upgrading kit. It can be installed by the operator.

The cutter is intended to cut through a continuous non-adhesive paper strip or the backing paper between labels. The cutter is not intended to cut through any kind of adhesive or other soft material.



**Caution: Adhesive material can stick to the cutting parts and render the cutter inoperable and possibly damage the electric motor due to overheating.**

Adhesive material can stick to the cutting parts and render the cutter inoperable and possibly damage the electric motor due to overheating

The cutter is intended to cut through continuous non-adhesive paper strip or through the backing paper between labels. It must not be used to cut through any kind of adhesive or other soft material, that may stick to the cutting parts and render the cutter inoperable and even damage the electric motor by overheating.

Maximum paper thickness is  $175\mu$  ( $\approx 175$  grams/m<sup>2</sup>) for normal paper-based materials.

Minimum practical copy length is 38.1mm (1.5 inches).

The cutter increases the printer's total weight and length as follows:

Printer	Weight	Length
PX4ie	1.0 kg (2.2lbs)	28mm (1.1 inches)
PX6ie	1.65 kg (3.6lbs)	28mm (1.1 inches)

The cutter can be tilted forward in order to facilitate cleaning and paper load.



**Warning: The cutting edge will rotate to home position when the power is turned on and when the printer is rebooted. Always keep the cutter unit closed during operation.**

## Contents

The cutter kit consists the following,

- Cutter unit
- Two hinges with torx wrench

## Installing the Cutter Kit

Follow the procedure to physically install the cutter.

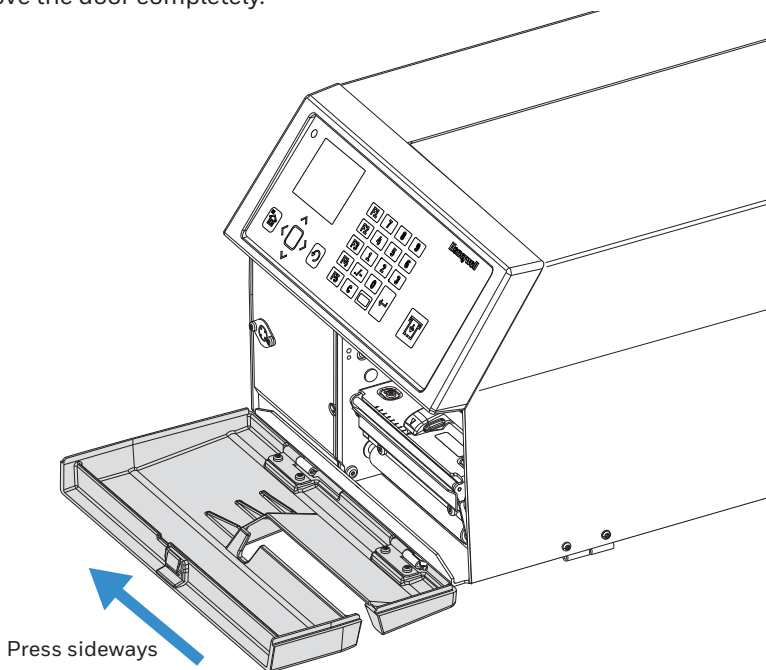
**Note:** *This procedure applies to both the PX4ie and PX6ie Printers. For simplicity, the PX4ie Printer is depicted in the illustrations.*

1. Switch off the power and disconnect the power cord.

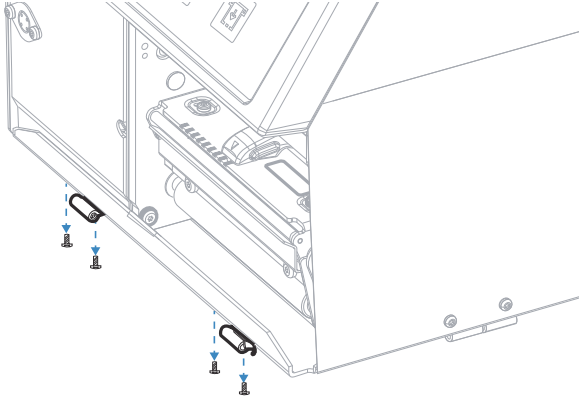


**Warning:** Make sure to turn off the power before beginning to install or remove the cutter unit.

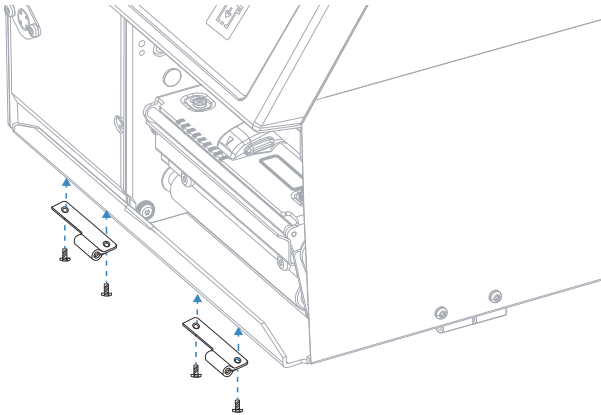
2. Open the printer's front door.
3. Hold the printer firmly and press the front door sideways to the left so as to disengage the hinges.
4. Remove the door completely.



5. Remove the existing two hinges held by four #T10 Torx screw at the bottom of the printer.

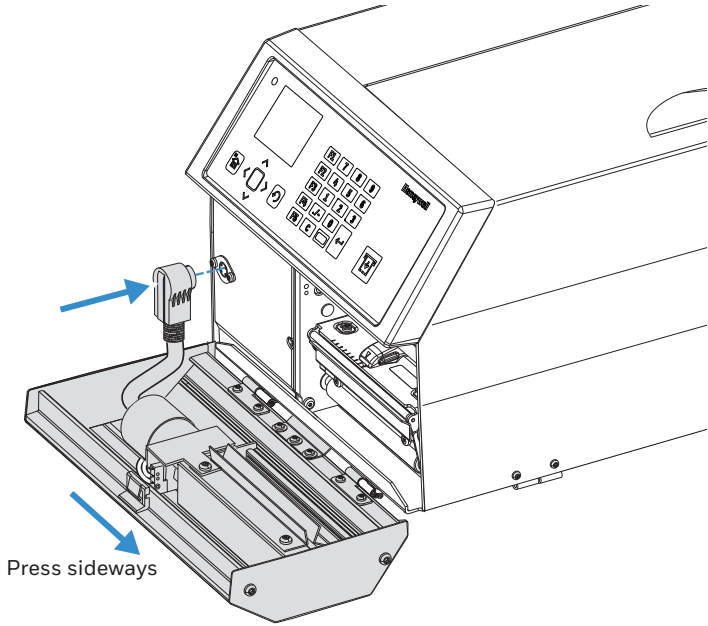


6. Replace the hinges with the new ones that came with the cutter unit using the same four #T10 Torx screw.



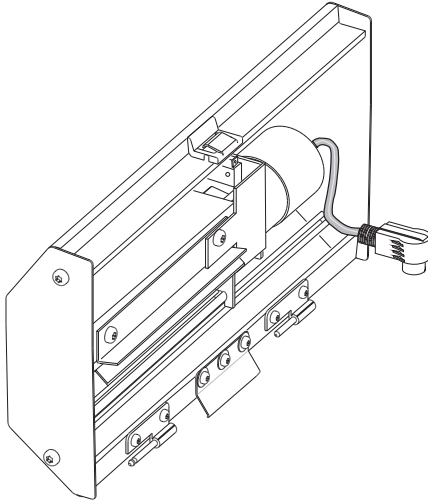
7. Fit the cutter unit to the vacant hinges. Make sure that the locking plate snaps into the groove of the right-hand hinge and that the angled plate at the bottom of the cutter is inserted under the printer's bottom plate.

8. Fit the cable from the cutter unit into the DIN connector on the printer's front.

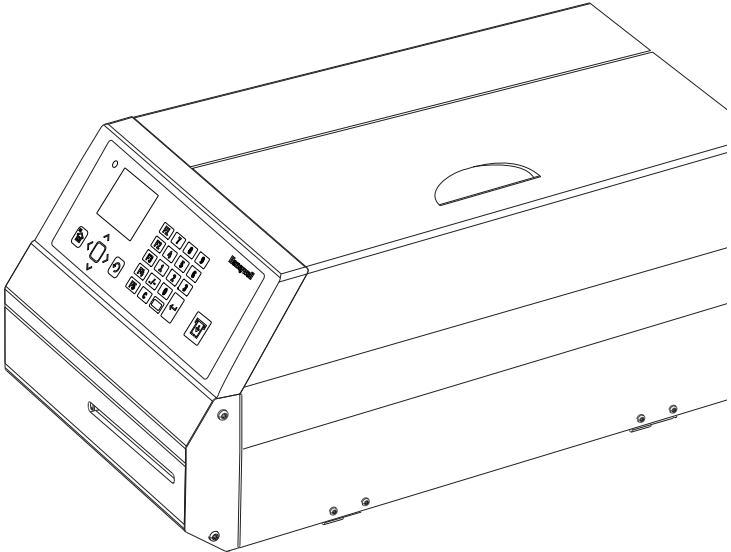


9. Tilt the cutter unit upwards until it locks into place. If the cutter does not lock properly, the hinges of the cutter unit may need to be adjusted using a #T10 Torx screwdriver.
10. Plug the printer back in and switch on the power. The cutter will perform an idle cycle in order to occupy its home position.
11. Switch off the power. Tilt down the cutter and route the paper through the cutter unit between the guide plates (also see the User's Guide). Then tilt up the cutter again and lock it in closed position.
12. Check that the printhead is lowered and switch on the power. Now the printer is ready for operation.

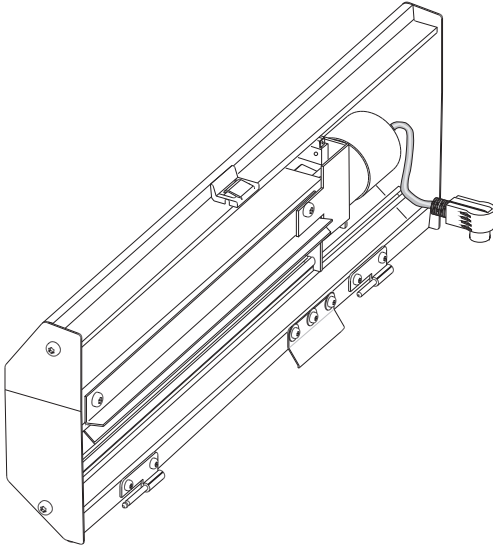
## Cutter for PX4ie Printer



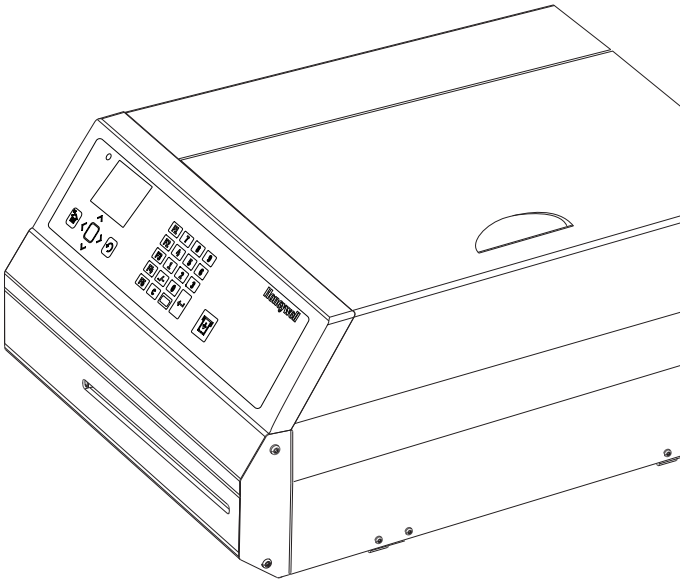
## Cutter Installed PX4ie Printer



## Cutter for PX6ie Printer



## Cutter Installed PX6ie Printer



## Controlling the Cutter

The cutter can be controlled using the printer command languages and the supported printer command languages are,

- Fingerprint
- Direct Protocol (DP)
- Intermec Printer Language (IPL)
- Datamax Printer Language (DPL)
- Zebra Simulator (ZSim)

To learn how the cutter is controlled using the printer languages, refer to the respective command reference manual.

## Maintenance and Troubleshooting

This section describes how to maintain and troubleshoot the cutter unit.

### Cleaning



**Warning: Switch off the power or disconnect the cutter before cleaning. Keep fingers away from cutting parts!**



**Caution: Isopropyl alcohol is a highly flammable, moderately toxic, and mildly irritating substance.**

The cutter mechanism becomes accessible when the cover is opened. The cutter shears will need to be cleaned on a regular basis to ensure optimal cutting performance.

Use isopropyl to clean the cutter. Be careful to not dissolve the cutter lubrication.

Do not force the spring-loaded anvil blade open more than 5-10mm (0.2-0.4 inches), or the spring may be damaged.



## Troubleshooting

Use this table to understand and troubleshoot some common errors you may receive and how to fix them.

### Error, Probable cause, and Solution

<b>Error Alert</b>	<b>Probable Cause</b>	<b>Solution</b>
Error 1701 "Cutter Jammed"	A cut has been performed but the shear has stopped on its way back to home (bottom) position.	Clean the shears from adhesive residue.
Error 37 "Cutter device not found"	Cutter cable came loose from DIN connector	Reconnect cutter cable connector to DIN connector
Error 1059 "Cutter does not respond"	Cutter cable came loose from DIN connector	Reconnect cutter cable connector to DIN connector

## Support

To search our knowledge base for a solution or to log into the Technical Support portal and report a problem, go to [www.hsmcontactsupport.com](http://www.hsmcontactsupport.com).

## Documentation

Product documentation is available at [www.honeywellaidc.com](http://www.honeywellaidc.com).

## Limited Warranty

For warranty information, go to [www.honeywellaidc.com](http://www.honeywellaidc.com) and click **Resources > Product Warranty**.

## Patents

For patent information, see [www.hsmpats.com](http://www.hsmpats.com).

## Disclaimer

Honeywell International Inc. (“HII”) reserves the right to make changes in specifications and other information contained in this document without prior notice, and the reader should in all cases consult HII to determine whether any such changes have been made. The information in this publication does not represent a commitment on the part of HII.

HII shall not be liable for technical or editorial errors or omissions contained herein; nor for incidental or consequential damages resulting from the furnishing, performance, or use of this material. HII disclaims all responsibility for the selection and use of software and/or hardware to achieve intended results.

This document contains proprietary information that is protected by copyright. All rights are reserved. No part of this document may be photocopied, reproduced, or translated into another language without the prior written consent of HII.

Copyright © 2009-2020 Honeywell International Inc. All rights reserved.