



IEEE 1284 Parallel Interface Kit

For PX4ie, PX6ie

Installation Guide

Introduction

The installation guide describes how to physically install a Parallel Interface Kit for PX4ie and PX6ie printers.

Contents

- One IEEE 1284 interface board.
- One hexagonal spacer
- Two flat cables

The only tools required for the installation are #T10 and #T20 Torx screwdrivers and a small wrench.

Installing the IEEE 1284 Parallel Interface Kit



Warning: The installation described in this section must only be performed by an authorized service technician. Honeywell assumes no responsibility for personal injury or damage to the equipment if the installation is performed by an unauthorized person.



Follow ESD
Procedures

Follow standard ESD guidelines to avoid damaging the equipment.



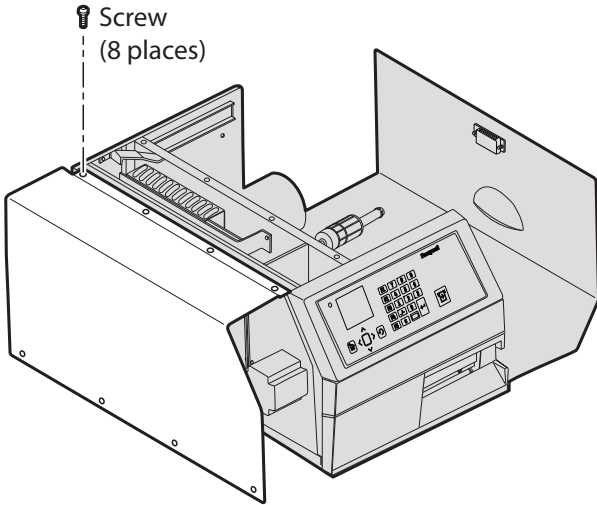
Caution: Before you begin, turn off the printer and disconnect the power cord and communication cables.

Follow the procedure to physically install the Parallel Interface Kit in the printer.

Note: This procedure applies to both the PX4ie and PX6ie. For simplicity, the PX4ie is depicted in the illustrations.

1. Switch off the power and disconnect the power cord.
2. Disconnect all communication cables.
3. Open the right-hand door.

4. Remove the eight #T10 Torx screws that hold the left-hand cover.

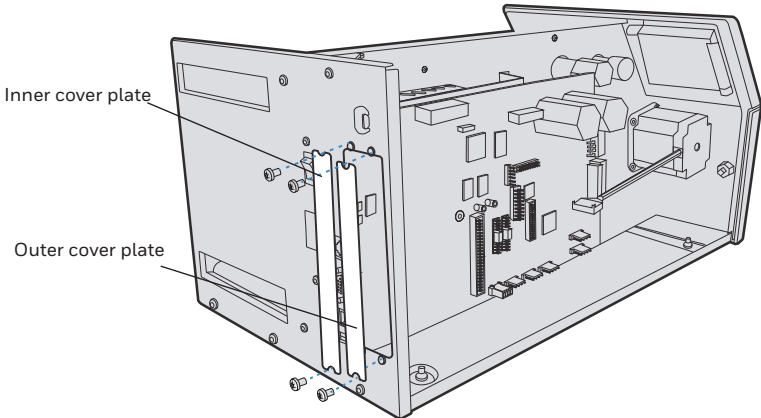


5. Put the cover aside on a soft cloth or similar to avoid scratches.

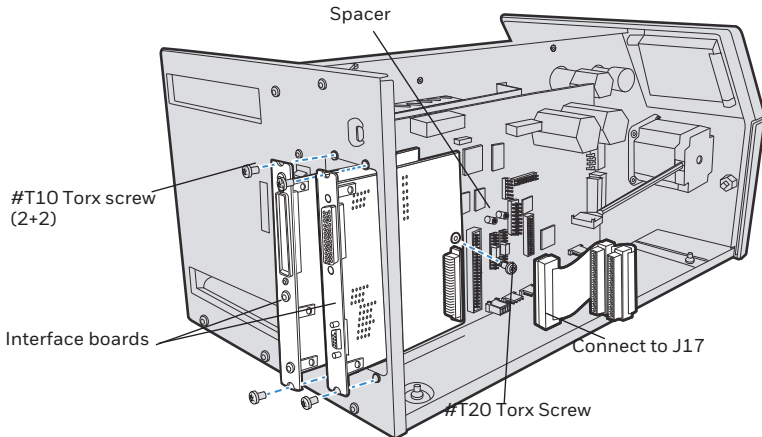


Warning: The electronics compartment contains high voltage components and wires. Do not open the electronics compartment before the printer is safely disconnect from any AC supply.

6. Remove the one or two cover plates depending on how many interface boards you are going to install. Each plate is held by two #T10 Torx screws. Always start installation at the innermost position.

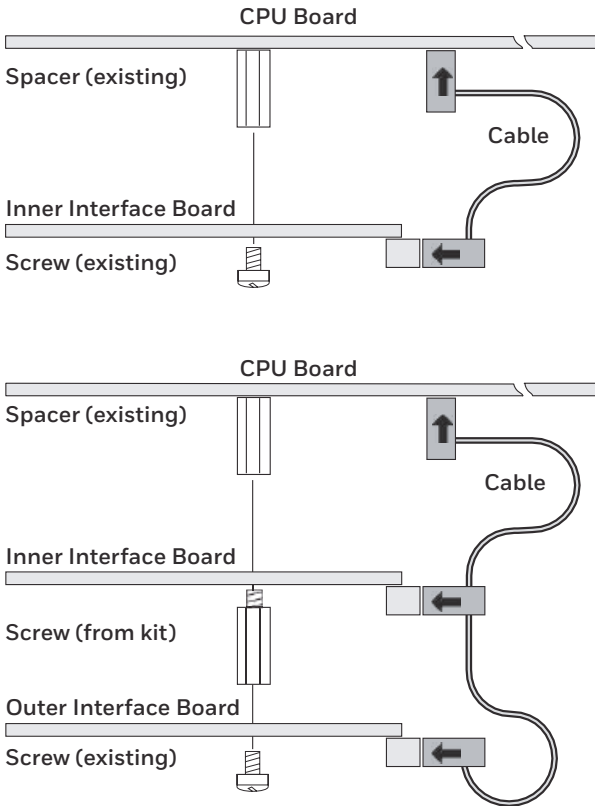


7. Save the cover plate(s) for possible later use. Keep the screws.
8. Remove the #T20 Torx screw fitted on the hexagonal spacer at the center of the CPU board. Keep the screw.
9. If necessary, reconfigure the interface board by fitting or removing circuits and straps according to the descriptions of each board.
10. Attach the flat cable included in the kit to connector J17 (marked “EXP”) on the CPU board.
11. Insert the interface board with the component side facing right, as seen from behind.



12. Installation of one board: Attach the interface board in the innermost slot in the printer's rear plate using the two screws left over when you removed the original cover plate. Using the #T20 Torx screw you previously removed, attach the interface board to the hexagonal spacer at the center of the CPU board.
13. Installations of two board: First install the inner board, then the outer one. Put the hexagonal spacer included in the kit between the inner and the outer interface board, and finally secure the outer board with the screw.
14. The kit contains two flat cables, one with two connectors for use with a single interface board and one with three connectors for use with double interface boards. Connect the appropriate flat cable to connector P1 on the interface board.

15. The flat cable should run as illustrated.



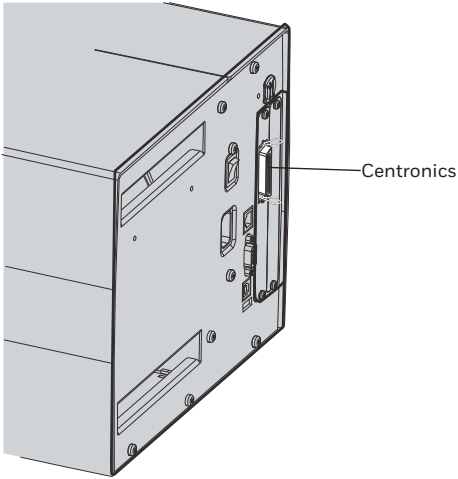
16. Put back the cover over the electronics compartment.

17. Connect the communication cables to the connectors on the printer's rear plate.

18. Connect the power cord and switch on the power.

Remarks

- The left-hand slot is the slot closest to the center section.
- Always start by fitting an interface board in the left-hand slot.
- Only one IEEE 1284 parallel interface board can be fitted.



Parallel Interface

This chapter describes the signals on the connector of the IEEE 1284 interface board.

Connector Configuration

The IEEE 1284 board has a standard 36pin IEEE 1284 B socket with the following configuration.

Pin	Signal	Remark
1	DSTROBE	
2	DATA0	+Transmit data
3	DATA1	+Receive data
4	DATA2	
5	DATA3	Ground
6	DATA4	
7	DATA5	-Receive data
8	DATA6	-Transmit data
9	DATA7	
10	ACK	
11	BUSY	
12	PE	
13	SELECT	
14	AF	
15	N/C	Not Connected
16	GND	
17	SCREEN	
18	-	External +5VDC max 500mA (automatic switch-off at overload, short-circuit protected)
19-30	GND	
31	INIT	
32	ERROR	
33-35	N/C	Not Connected
36	SELECTIN	

Support

To search our knowledge base for a solution or to log into the Technical Support portal and report a problem, go to www.hsmcontactsupport.com.

Documentation

Product documentation is available at www.honeywellaidc.com.

Limited Warranty

For warranty information, go to www.honeywellaidc.com and click **Resources > Product Warranty**.

Patents

For patent information, see www.hsmpats.com.

Disclaimer

Honeywell International Inc. (“HII”) reserves the right to make changes in specifications and other information contained in this document without prior notice, and the reader should in all cases consult HII to determine whether any such changes have been made. The information in this publication does not represent a commitment on the part of HII.

HII shall not be liable for technical or editorial errors or omissions contained herein; nor for incidental or consequential damages resulting from the furnishing, performance, or use of this material. HII disclaims all responsibility for the selection and use of software and/or hardware to achieve intended results.

This document contains proprietary information that is protected by copyright. All rights are reserved. No part of this document may be photocopied, reproduced, or translated into another language without the prior written consent of HII.

Copyright © 2009–2020 Honeywell International Inc. All rights reserved.