



# **CT40 Protective Boot**

---

**and Accessories**

**Models CT40-PB-00, CT40-SH-PB, CT40-CB-PB,  
CT40-NB-PB**

## **Instructions**

## Out of Box

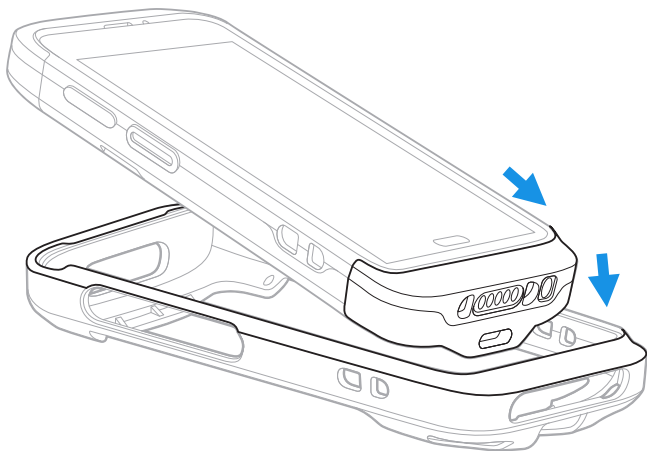
The CT40 protective boot is available as a stand-alone accessory (model CT40-PB-00) or part of a kit that includes the scan handle (model CT40-SH-PB).

See "[Charge Base and Ethernet Base](#)" for compatible communication and charging bases.

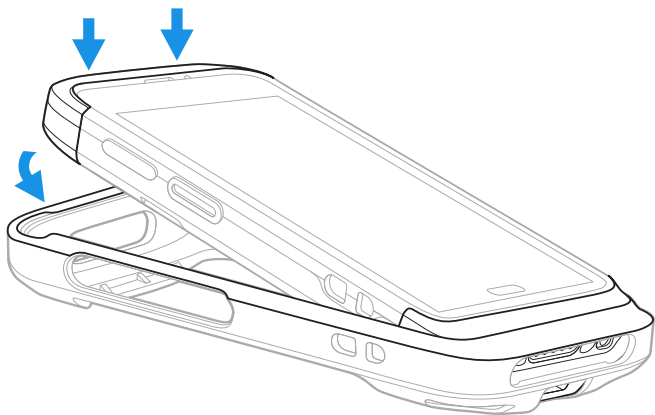
## Attach the Protective Boot

When used with the scan handle, the hand strap should be removed prior to installation.

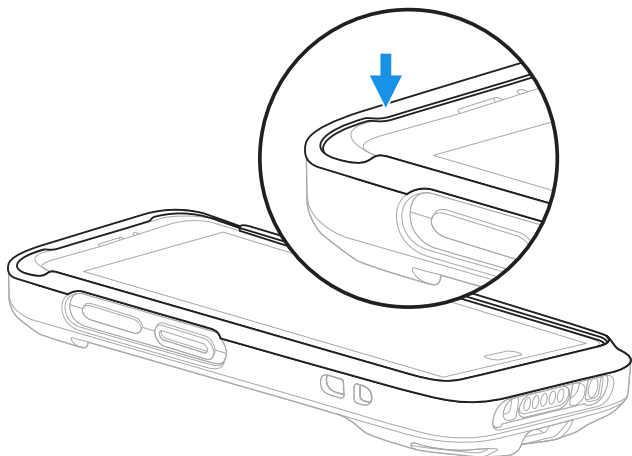
1. Insert the CT40 into the bottom of the boot.



2. Press down evenly.



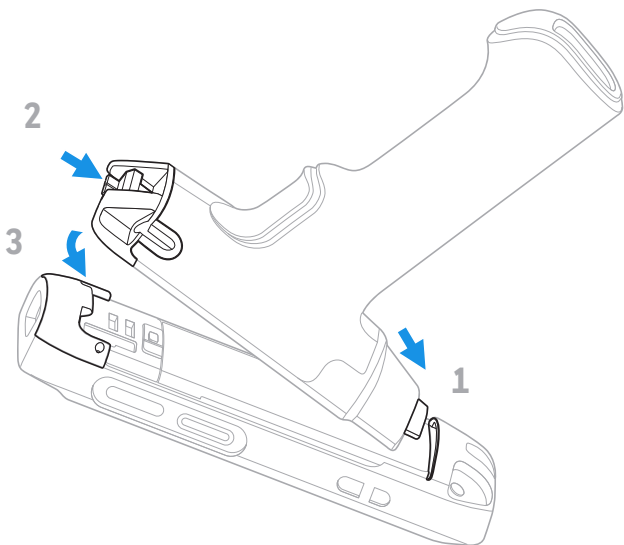
3. Verify the boot lip overlaps the front of the CT40



## Attach Scan Handle

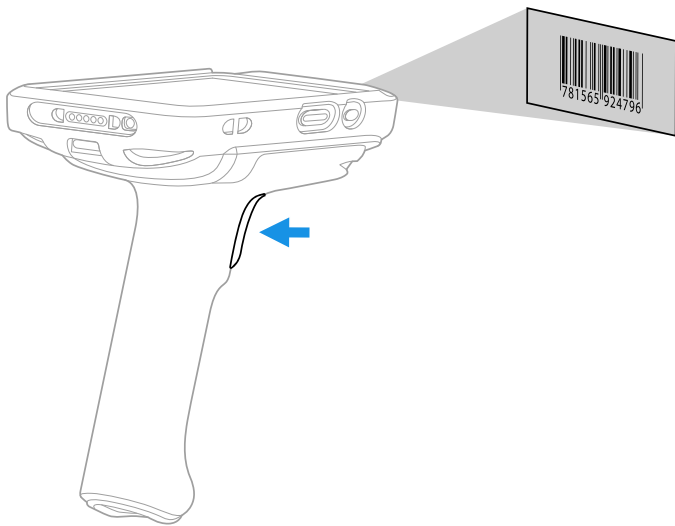
1. Insert the handle tab into the unit/boot assembly.
2. Press and hold the latch.
3. Lower the handle down and release the latch.

**Note:** Remove hand strap before assembly.



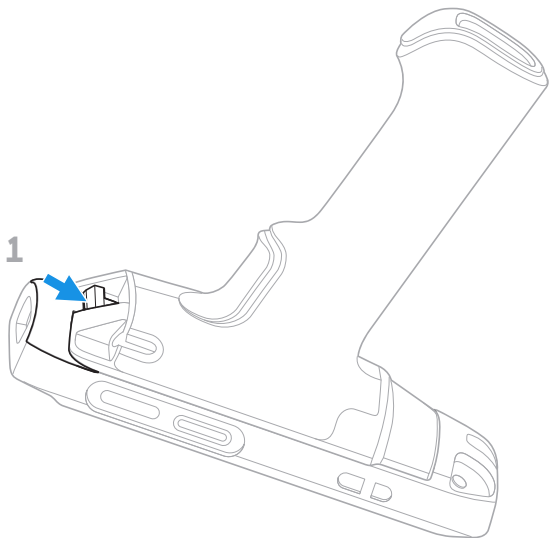
## Scan a Bar Code

Press the trigger on the handle to scan a bar code.

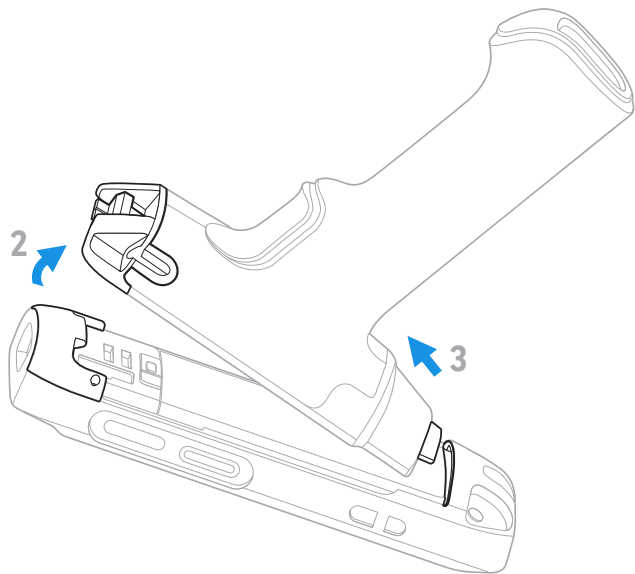


## Remove Scan Handle

1. Press and hold the button.



2. Lift handle end and release button.
3. Slide handle tab out of unit/boot assembly.

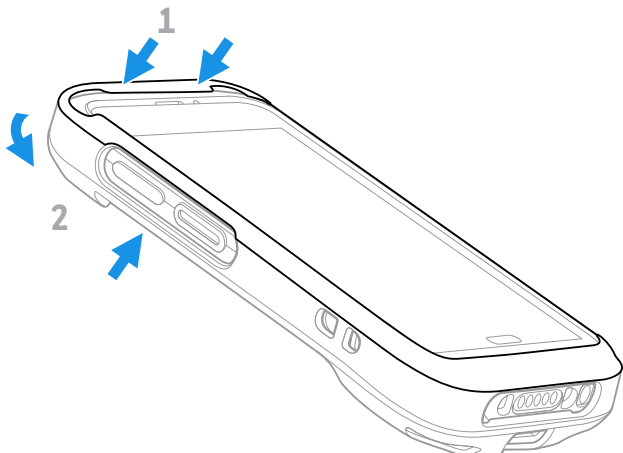




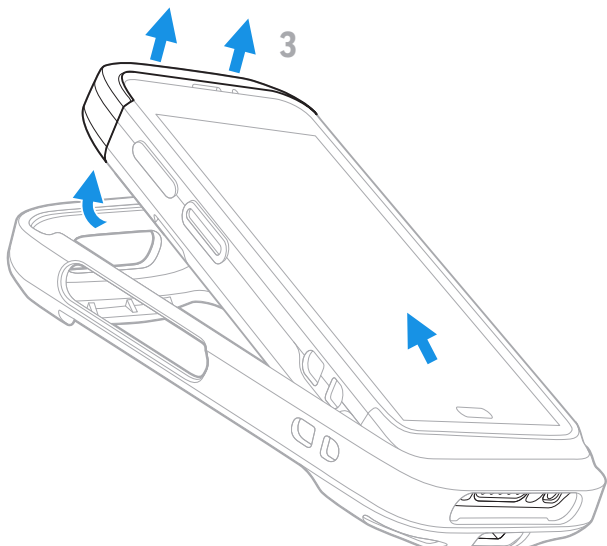
## Remove Protective Boot

**Note:** *The protective boot does not need to be removed for battery replacement or charging with a compatible base (see "Charge Base and Ethernet Base"). Routinely inspect the protective boot for damage, and replace with part number CT40-PB-00 if needed.*

1. Hold the unit, with the screen facing you, on both sides. Use your thumbs to apply even pressure to the upper lip of the boot.
2. Apply gentle pressure to the back of the unit to release the top of the unit from the boot.



- Lift the unit up and out of the bottom of the boot.



# Charge Base and Ethernet Base

## Out of the Box

Make sure that your shipping box contains these items:

- CT40 Charge Base (CT40-CB-PB) or Ethernet Base (CT40-NB-PB)
- Power supply
- Power cord (if purchased)
- Regulatory Sheet

If any of these items are missing or appear damaged, contact your Customer Account Representative. Keep the original packaging in the event that you need to return the Charge Base or Net Base for service or if you want to store the charger while not in use.



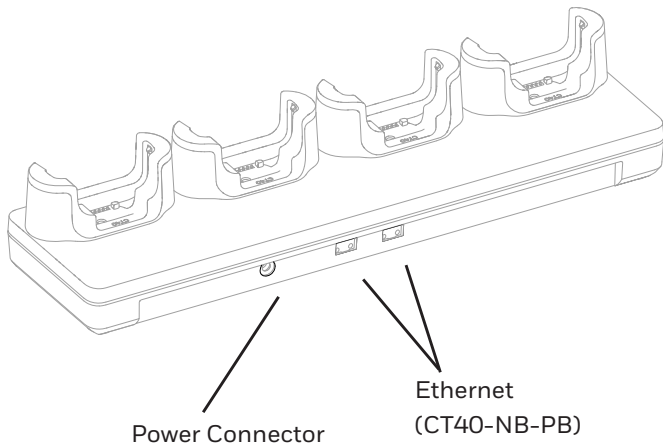
**Caution: We recommend the use of Honeywell accessories and power adapters. Use of any non-Honeywell accessories or power adapters may cause damage not covered by the warranty.**

**Mise en garde : Il est recommandé d'utiliser les périphériques, les cordons d'alimentation et les adaptateurs secteur conçus par Honeywell. L'utilisation de tout périphérique, cordon d'alimentation ou adaptateur secteur d'une autre marque est susceptible de provoquer des dommages non couverts par la garantie.**

## Connect Base to Power

Use only a UL Listed power supply which has been qualified by Honeywell with an output rated at 12V/7A. The power supply input rating is 100-240 VAC, 50/60 Hz. The operating temperature is -10 °C to 50 °C (14 °F to 122 °F).

1. Plug the power cord into the power supply.
2. Plug the power supply cable into the power connector on the back of the charger.
3. Plug the power cord into a standard wall outlet.



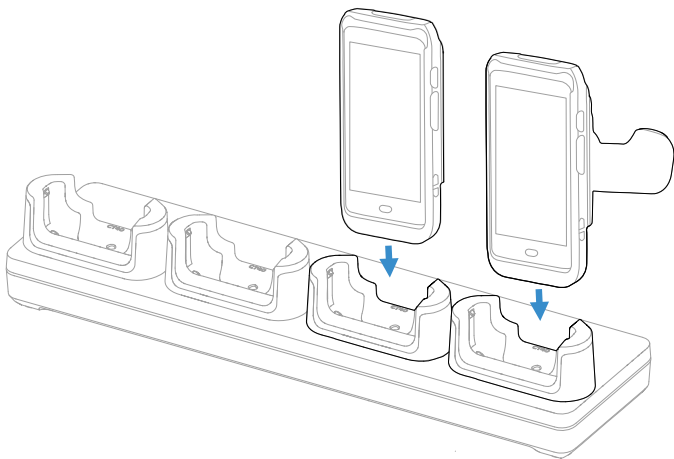
## Charge the Battery Pack



**Caution:** Make sure that all components are dry prior to using the computers and batteries with accessories. Using wet components may cause damage not covered by the warranty.

**Mise en garde :** Assurez-vous que tous les composants sont secs avant de connecter les terminaux/batteries à des périphériques. L'insertion de composants humides risque de provoquer des dommages non couverts par la garantie.

Insert CT40 into Charge Base CT40-CB-PB or Net Base CT40-NB-PB. Unit will not charge unless a protective boot is attached and a battery is installed.

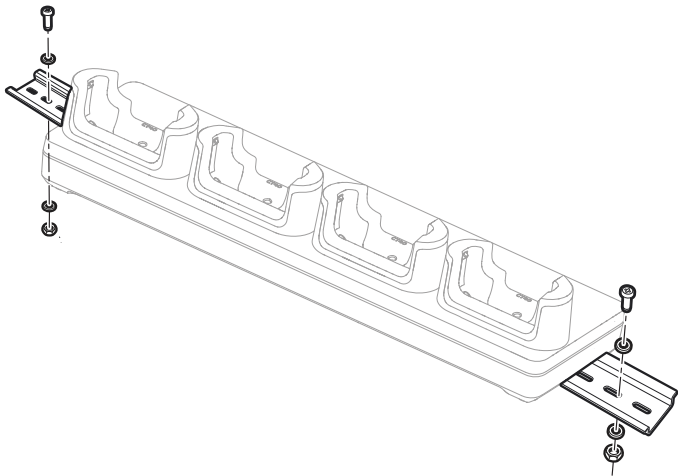


## Mount the Charge Base or Net Base

You can mount the charger on a flat, horizontal surface such as a desktop or workbench with an optional DIN rail.

Mounting hardware required:

- DIN rail
  - 3/16-inch diameter x 5/8-inch long pan head screw
  - 1/2-inch OD x 7/32-inch ID x 3/64-inch thick washer
  - 3/16-inch diameter nut
1. Slide the DIN rail into the slot on the bottom of the Charge Base or Net Base.
  2. Secure the DIN rail to the flat surface with the hardware.



## Support

To search our knowledge base for a solution or to log into the Technical Support portal and report a problem, go to [www.hsmcontactsupport.com](http://www.hsmcontactsupport.com).

## Documentation

Product documentation is available at [www.honeywellaidc.com](http://www.honeywellaidc.com).

## Limited Warranty

For warranty information, go to [www.honeywellaidc.com](http://www.honeywellaidc.com) and click **Get Resources > Product Warranty**.

## Patents

For patent information, see [www.hsmpats.com](http://www.hsmpats.com).

## Disclaimer

Honeywell International Inc. (“HII”) reserves the right to make changes in specifications and other information contained in this document without prior notice, and the reader should in all cases consult HII to determine whether any such changes have been made. The information in this publication does not represent a commitment on the part of HII.

HII shall not be liable for technical or editorial errors or omissions contained herein; nor for incidental or consequential damages resulting from the furnishing, performance, or use of

this material. HII disclaims all responsibility for the selection and use of software and/or hardware to achieve intended results.

This document contains proprietary information that is protected by copyright. All rights are reserved. No part of this document may be photocopied, reproduced, or translated into another language without the prior written consent of HII.

Copyright © 2019 Honeywell International Inc. All rights reserved.