

Multi-Bay Battery Charger

Installation Guide



MBC-INST Rev C
10/14

For localized language versions of this document, go to www.honeywellaidc.com.

Introduction

Honeywell's Multi-Bay Battery Charger can fully charge up to four lithium-ion batteries in less than eight hours (typically 4.5 hours), maximizing uptime in any application.

Note: When a battery is placed into the Multi-Bay Battery Charger, the battery will charge. Please note that the Multi-Bay Battery Charger will not facilitate communication with the host system or other imagers.

Multi-Bay Battery Charger Operation and Indicators

First, connect the right angle power adapter to the Multi-Bay Battery Charger. Then plug the power supply into an AC power outlet. Make sure the AC power outlet voltage is the same as the power supply.

Note: Use only a UL/cUL listed power supply with output rated 5Vdc, 4A.

We recommend use of Honeywell approved power adapters. Use of any non-Honeywell approved power adapters may cause damage not covered by the warranty.

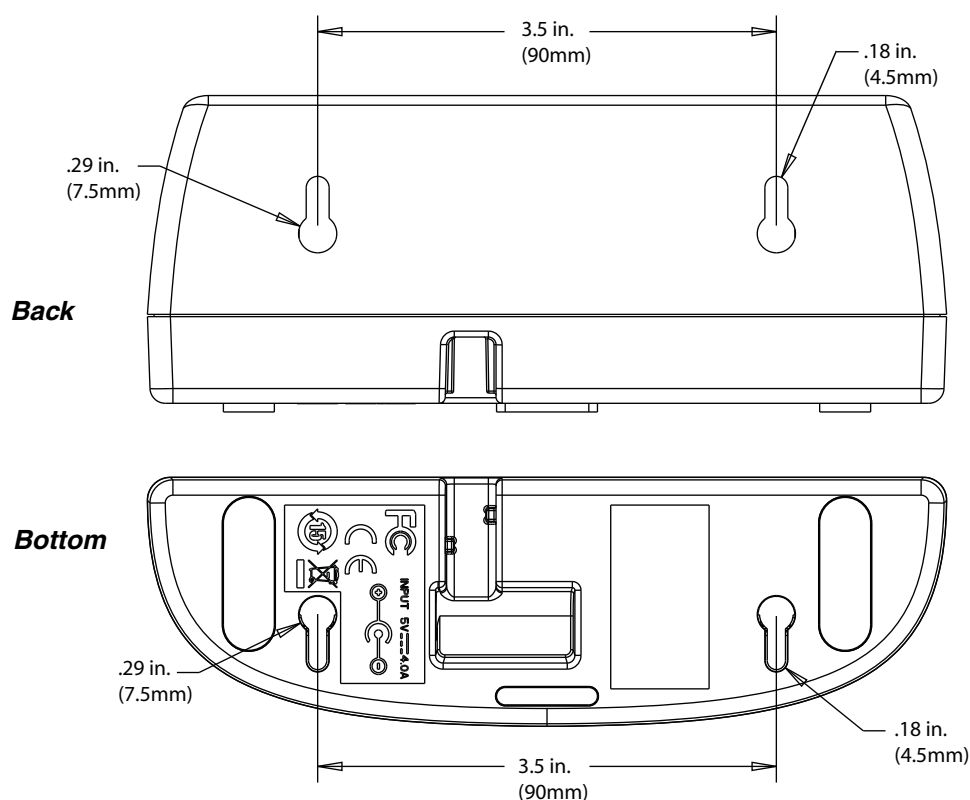
1. Place a battery into a cradle to charge.
2. When a battery is inserted, the green LED flashes 3 times, then flashes slowly. If the Green LED does not appear, check to make sure the battery pack is seated completely in the charger with the battery contacts facing the contacts on the charger.
3. When the battery is completely charged, the charging indicator stops flashing and stays illuminated.

Operational temperature for charging the battery is 41° to 104°F (5° to 40°C).

LED Indicators	
Off	Battery not detected
3 flashes	Battery inserted into base
Slow flash	Pre-charge and charge
On	Charge completed
Fast flash	Charge suspended due to a fault condition

Mounting

Mount the Multi-Bay Battery Charger on any smooth surface according to the following dimensions:



If a metal or wood stud is present, drill a 3/32 inch (2.38mm) pilot hole into the stud and use the supplied #6 x 1 screw to attach the Multi-Bay Charger to the wall. For any of the screws positioned so that they are going directly into dry wall, use a sheet rock anchor/screw set such as the one listed below. Make sure the weight of the power supply is supported separately.

Wall	Recommended Anchors
Sheet Rock	Buildex E-Z Anchor Stud Solver Medium Duty Drywall Anchor (Model #25216); supports 50 lbs. (22.68kg)
Wood/Metal	#6 x 1 screws included

About the Battery



Use only Honeywell Li-ion battery packs BAT-SCN01 in this device. Use of any non-Honeywell battery may result in damage not covered by the warranty.

Battery Recommendations

- Batteries are shipped approximately 30% to 60% charged and should be fully charged for maximum charge capacity.
- The battery is a lithium ion cell and can be used without a full charge, and can also be charged without fully discharging without impacting the battery life. There is no need to perform any charge/discharge conditioning on this type of battery.
- Do not disassemble the battery. There are no user-serviceable parts in the battery.
- Do not allow metallic conductive objects to contact battery terminals. Do not short-circuit a battery or throw it into a fire; it can explode and cause severe personal injury.
- Improper battery use may result in a fire, explosion, or other hazard.
- Although your battery can be recharged many times, it will eventually be depleted. Replace it after the battery is unable to hold an adequate charge.
- If you are not sure if the battery or charger is working properly, send it to Honeywell International Inc. or an authorized service center for inspection. Refer to [Technical Assistance](#) on page 2 for additional information.

Proper Disposal of the Battery



When the battery has reached the end of its useful life, promptly dispose of used batteries in accordance with local regulations. Do not incinerate the battery. This battery pack contains Lithium-ion chemistry. You may send the imager's battery to us (postage paid). The shipper is responsible for complying with all federal, state, and local laws and regulations related to the packing, labeling, manifesting, and shipping of spent batteries. Contact [Technical Assistance](#), below, for recycling or disposal information. Since you may find that your cost of returning the batteries significant, it may be more cost effective to locate a local recycle/disposal company.

Cleaning the Multi-Bay Battery Charger

Unplug the Multi-Bay Battery Charger from the power supply before cleaning.

Clean the housing of the Multi-Bay Battery Charger with a soft cloth or tissue dampened with water (or a mild detergent- water solution). If a detergent solution is used, rinse with a clean tissue dampened with water only.



Never use solvents (e.g., alcohol or acetone) on the housing – solvents may damage the finish.

Disclaimer

Honeywell International Inc. ("HII") reserves the right to make changes in specifications and other information contained in this document without prior notice, and the reader should in all cases consult HII to determine whether any such changes have been made. The information in this publication does not represent a commitment on the part of HII.

HII shall not be liable for technical or editorial errors or omissions contained herein; nor for incidental or consequential damages resulting from the furnishing, performance, or use of this material.

This document contains proprietary information that is protected by copyright. All rights are reserved. No part of this document may be photocopied, reproduced, or translated into another language without the prior written consent of HII.

© 2009-2014 Honeywell International Inc. All rights reserved.

Other product names or marks mentioned in this document may be trademarks or registered trademarks of other companies and are the property of their respective owners.

Web Address: www.honeywellaidc.com

Technical Assistance

Contact information for technical support, product service, and repair can be found at www.honeywellaidc.com.

Limited Warranty

Refer to www.honeywellaidc.com/warranty_information for your product's warranty information.