

Thor VM2 Field Replaceable Front Panel

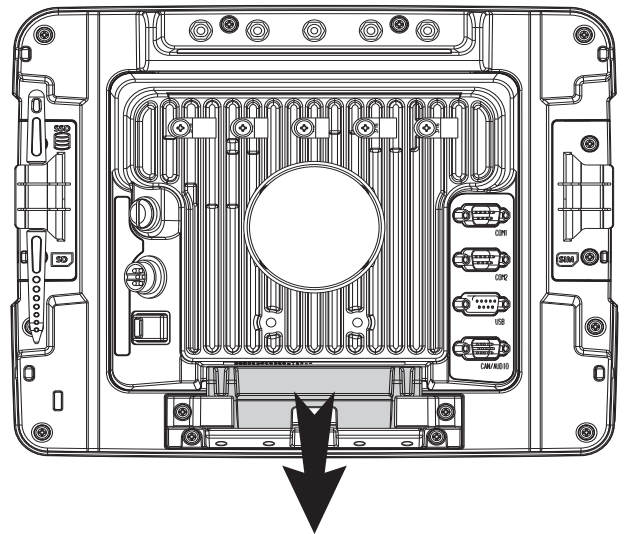
The front panel of the Thor VM2 is field replaceable. The front panel assembly contains the keyboard and touchscreen. Should either of these components fail, the front panel assembly can easily be replaced to minimize downtime.

Requirements - User Supplied

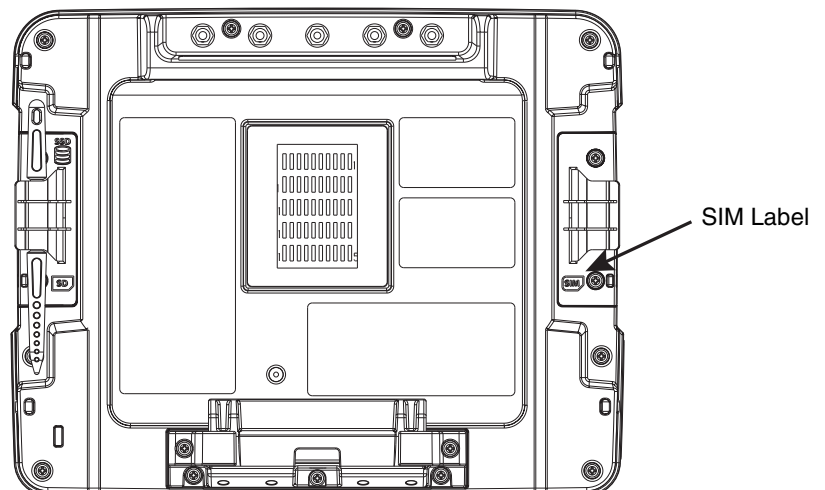
- Torquing tool capable of measuring inch pounds
- #2 Phillips screwdriver bit

Replacing Front Panel

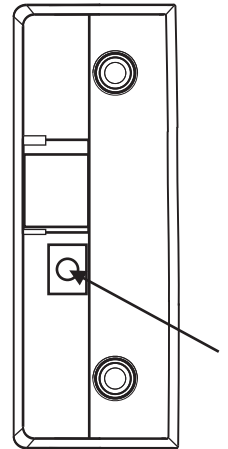
1. If the Thor VM2 has a Windows CE operating system, place the Thor VM2 in Suspend by pressing the **Power** button on the front of the Thor VM2. If the Thor VM2 has a Windows Embedded Standard operating system, select **Shut Down** from the Windows Shut Down menu.
2. Remove the Thor VM2 from the Quick Mount Smart Dock by pulling down on the red quick release handle, lifting the bottom of the Thor VM2 away from the dock, and lifting the Thor VM2 up and away from the dock.



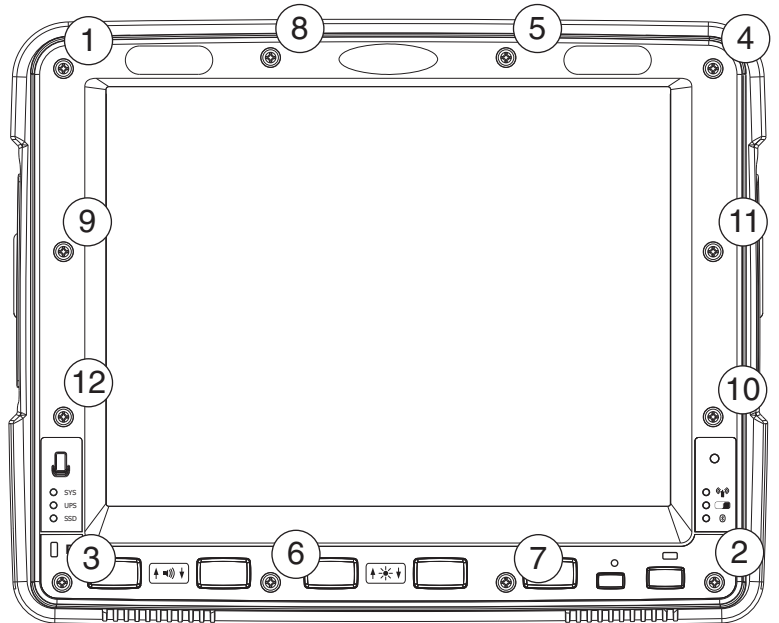
3. Place the Thor VM2 face down on a clean, well lit stable surface.
4. Use a #2 Phillips bit to loosen the captive M3 screws on the tethered access panel with the SIM label.



-
5. Remove the tethered access panel from the opening and press the **UPS battery disconnect** button located just below the SIM card installation slot.

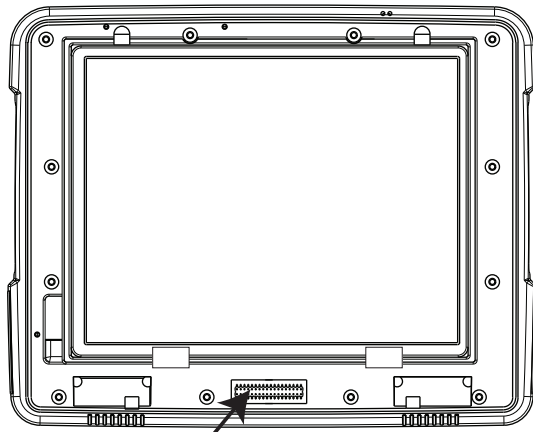


6. Reinstall the access panel cover. Torque the M3 screws to 4-5 inch pounds using a #2 Phillips bit.
7. Turn the Thor VM2 face up.
8. Use a #2 Phillips bit to loosen the twelve (12) captive M3 screws that hold on the front panel.



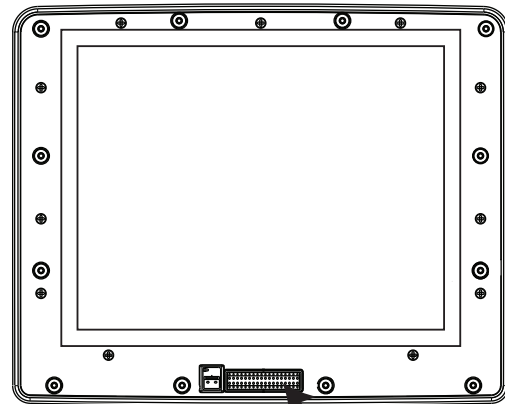
9. Carefully lift the front panel away from the device.

10. Position the replacement front panel so the wiring connector on the back of the front panel lines up with the wiring connector on the Thor VM2.



Wiring Connector

Thor VM2 with Front Panel Removed



Wiring Connector

Back of Thor VM2 Front Panel

11. Gently press the front panel into place.

12. Tighten the twelve (12) captive M3 screws in the order shown in the figure for step 8 above. Use a #2 Phillips bit and torque the screws to 6-7 inch pounds.

13. Reinstall the Thor VM2 in the dock. When the Thor VM2 is placed in the powered dock, the UPS battery automatically reconnects.

14. Press the **Power** button on the front of the Thor VM2.

15. The Thor VM2 is ready for use.

